

NOTES:

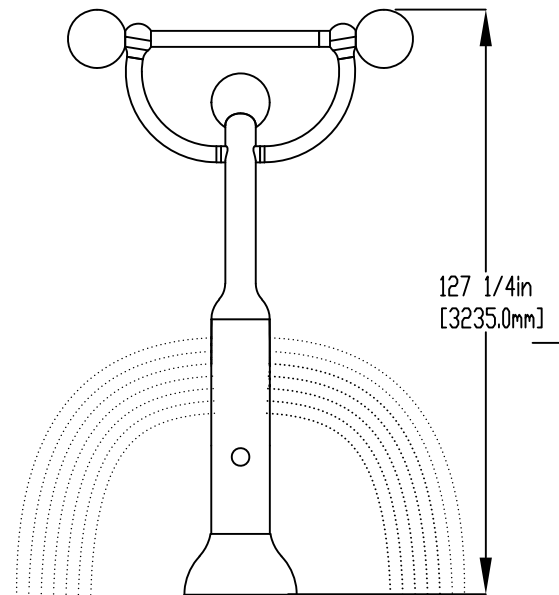
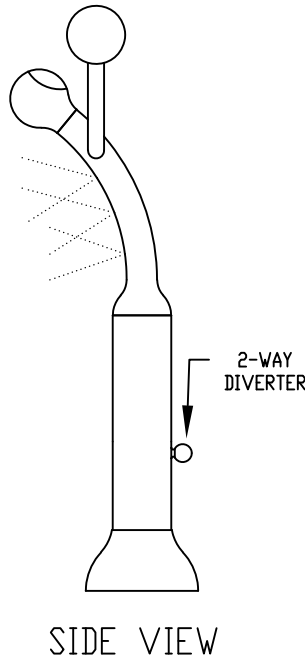
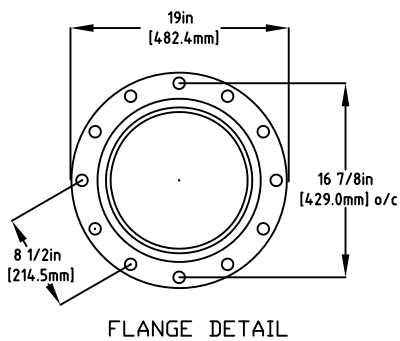
- (1) PURGE ALL WATER SUPPLY LINES TO REMOVE SOLIDS PRIOR TO TOY INSTALLATION.
- (2) PROVIDE ELECTRICAL BOND WITH POOL REBAR.
- (3) INSTALL ALL WATER TOYS PLUMB AND LEVEL.
- (4) PROVIDE STRAINER UPSTREAM OF TOY WITH MAX 1/32" (0.8mm) PERFORATIONS.

48in
[1218.8mm]
APPROX
SIDE SPRAY
AREAS

48in
[1220.4mm]
APPROX.
SPRAY AREA

41in
[1040.6mm]

75 1/4in
[1911.2mm]



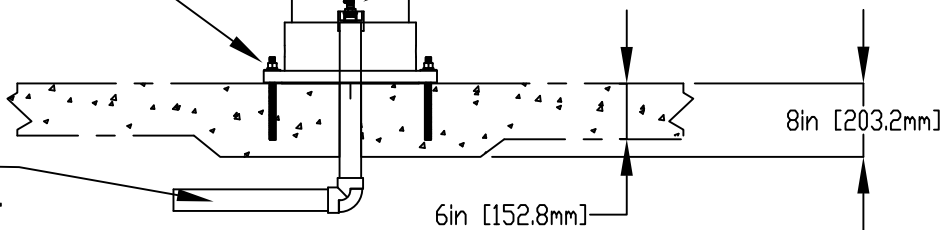
LOWER FLANGE COVER
AFTER TOY IS INSTALLED.

5/8" (16mm) X 9" (230mm) 316SS,
THREADED ROD C/W FENDER WASHER,
LOCK WASHER & NUT (X6), MINIMUM
6" (150mm) EMBEDMENT. WITH EPOXY SET
ANCHOR ADHESIVE
TO BE PROVIDED BY CONTRACTOR

1" (25mm) FLEX HOSE
PROVIDED BY EMPEX.

2" (50mm) COUPLING
2" (50mm)-1" (25mm) REDUCER
1" (25mm) HOSE BARB & SS CLAMP
TO BE PROVIDED BY CONTRACTOR

WATERFEED
2" (50mm) PVC SCH 40 PIPE
EXTENDED 4" (100mm) ABOVE SLAB.



Notes: Overall dimensions of toys are approximate.
Approximate Weight: 180lbs / 81.8kgs

© EMPEX WATERTOYS



WATER SUPPLY

30 gpm @ 25 psi
1.89L/S @17.5m

AQUABAT #2

AB102

01/04/2020

SCALE:

Sheet
1 of 1