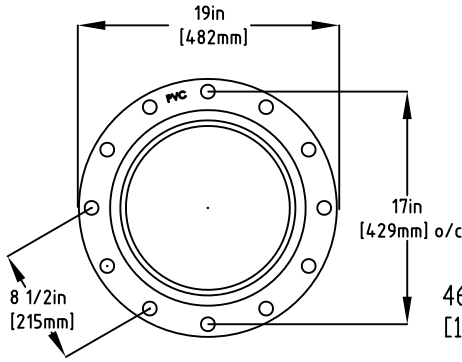
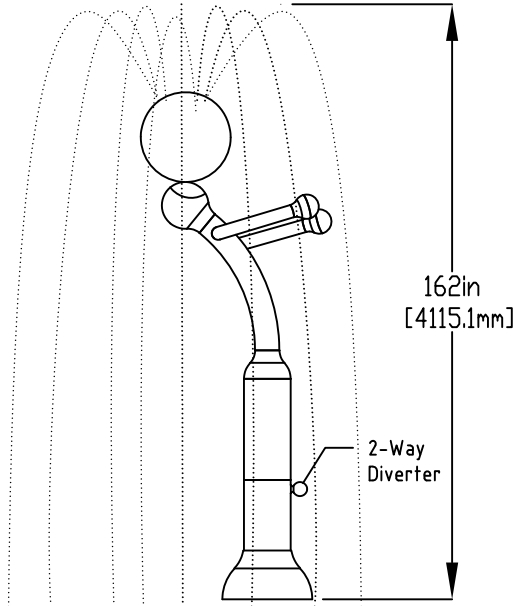
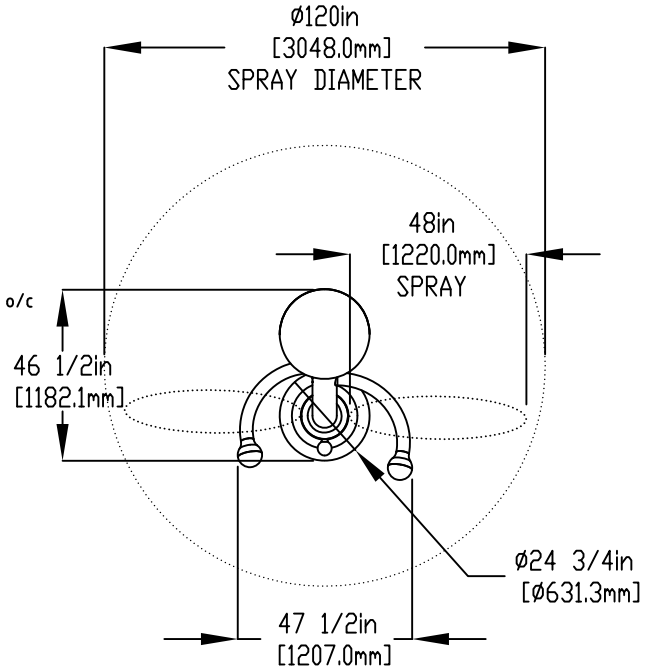


NOTES:

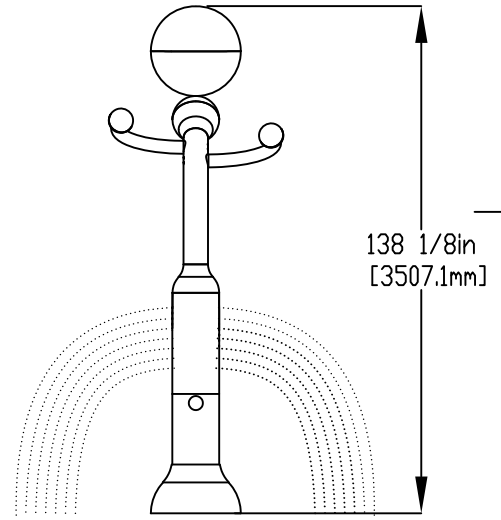
- (1) PURGE ALL WATER SUPPLY LINES TO REMOVE SOLIDS PRIOR TO TOY INSTALLATION.
- (2) PROVIDE ELECTRICAL BOND WITH POOL REBAR.
- (3) INSTALL ALL WATER TOYS PLUMB AND LEVEL.
- (4) PROVIDE STRAINER UPSTREAM OF TOY WITH MAX 1/32" (0.8mm) PERFORATIONS.



FLANGE DETAIL



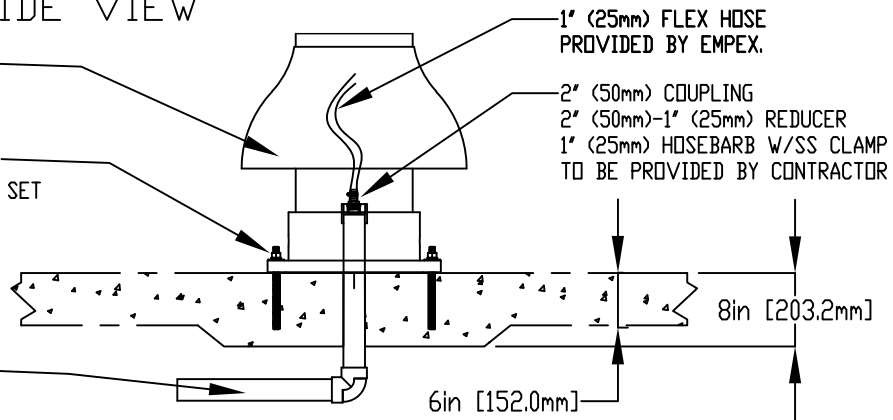
SIDE VIEW



LOWER FLANGE COVER AFTER TOY IS INSTALLED.

5/8" (16mm) X 9" (230mm) 316SS, THREADED ROD C/W FENDER WASHER, LOCK WASHER & NUT, (X6), MINIMUM 6" (152mm) EMBEDMENT. WITH EPOXY SET ANCHOR ADHESIVE TO BE PROVIDED BY CONTRACTOR

WATERFEED 2" (50mm) PVC SCH 40 PIPE EXTENDED 6" (152mm) ABOVE SLAB.



LOWER FLANGE COVER AFTER TOY IS INSTALLED.

5/8" (16mm) X 9" (230mm) 316SS, THREADED ROD C/W FENDER WASHER, LOCK WASHER & NUT, (X6), MINIMUM 6" (152mm) EMBEDMENT. WITH EPOXY SET ANCHOR ADHESIVE TO BE PROVIDED BY CONTRACTOR

WATERFEED 2" (50mm) PVC SCH 40 PIPE EXTENDED 6" (152mm) ABOVE SLAB.

Notes: Overall dimensions of toys are approximate.  
Approximate Weight: 180lbs / 81.8kgs

© EMPEX WATERTOYS



WATER SUPPLY  
30 gpm @ 25 psi  
1.89L/S @17.5m

AQUABAT #4

AB104

01/04/2020

SCALE:

Sheet 1 of 1