

NOTES:

- (1) PURGE ALL WATER SUPPLY LINES TO REMOVE SOLIDS PRIOR TO TOY INSTALLATION.
- (2) PROVIDE ELECTRICAL BOND WITH POOL REBAR.
- (3) INSTALL ALL WATER TOYS PLUMB AND LEVEL.
- (4) PROVIDE STRAINER UPSTREAM OF TOY WITH MAX 1/32" (0.8mm) PERFORATIONS.

A

B

C

D

E

F

A

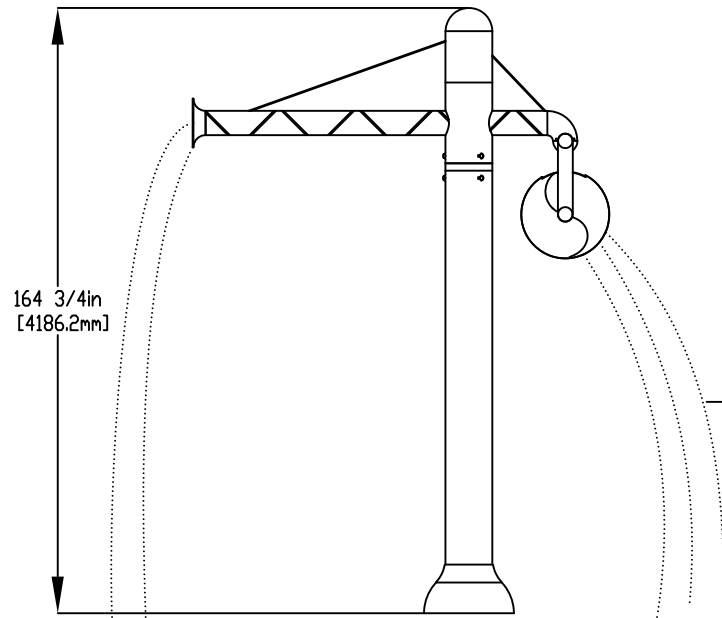
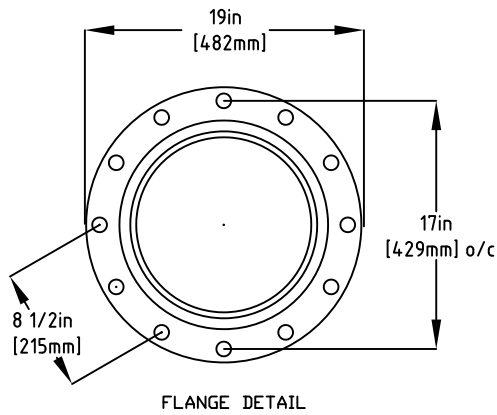
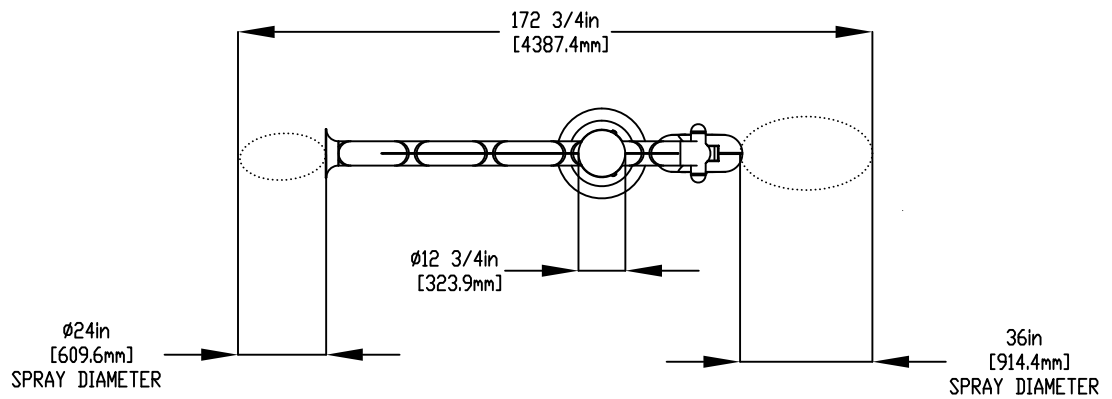
B

C

D

E

F

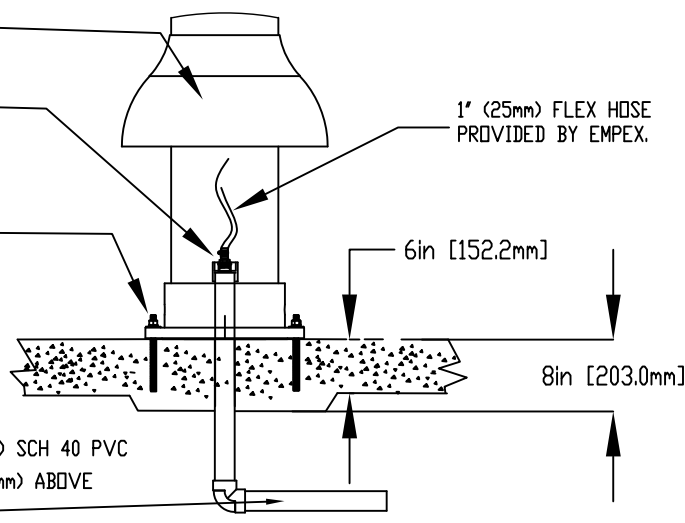


LOWER FLANGE COVER
AFTER TOY IS INSTALLED

2" (50mm) COUPLING
2" (50mm) TO 1" (25mm) REDUCER
1" (25mm) HOSEBARB & CLAMP
TO BE PROVIDED BY CONTRACTOR

5/8" (16mm) X 9" (230mm) 316SS
THREADED ROD, C/W FENDERWASHER,
LOCKWASHER & NUT (X6), MINIMUM
6" (152mm) EMPBEDMENT, EPOXY SET
ANCHOR ADHESIVE
TO BE PROVIDED BY CONTRACTOR

1" (25mm) FLEX HOSE
PROVIDED BY EMPEX.



WATERFEED 2" (50mm) SCH 40 PVC
PIPE EXTENDED 4" (101mm) ABOVE
POOL SLAB

Notes: Overall dimensions of toys are approximate.

© EMPEX WATERTOYS



WATER SUPPLY

60 gpm @ 25 psi
3.79L/S @17.5m

AQUACRANE

ABU104S

17/02/22

SCALE:

Sheet
1 of 1