

1

2

3

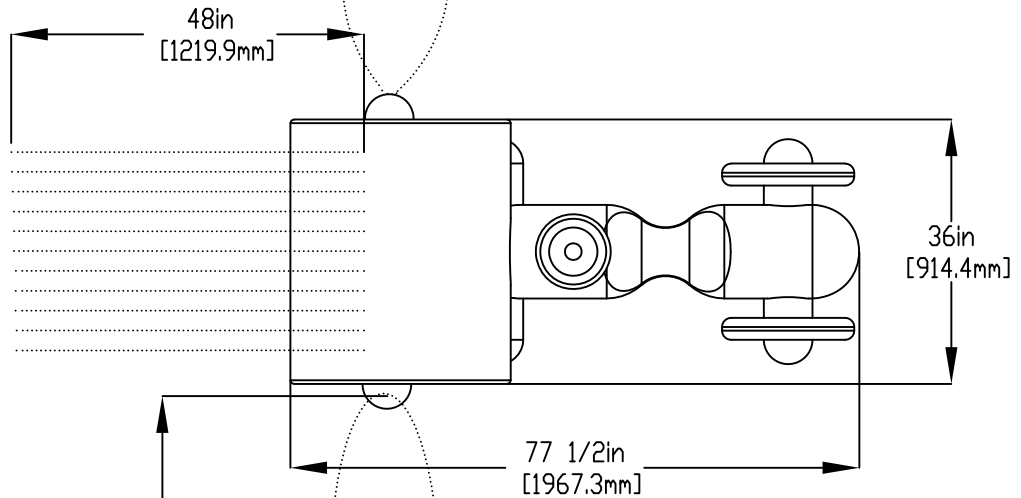
4

NOTES:

- (1) PURGE ALL WATER SUPPLY LINES TO REMOVE SOLIDS PRIOR TO TOY INSTALLATION.
- (2) PROVIDE ELECTRICAL BOND WITH POOL REBAR.
- (3) INSTALL ALL WATER TOYS PLUMB AND LEVEL.
- (4) PROVIDE STRAINER UPSTREAM OF TOY WITH MAX 1/32" (0.8mm) PERFORATIONS.

A

A



B

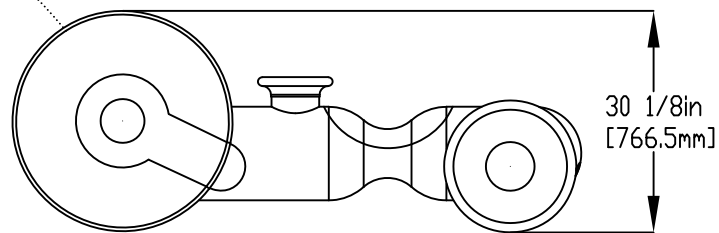
B

SPRAY AREA (X2)  
48in [1220.1mm]

C

C

37 1/4in [947.1mm]



2" (50mm) COUPLING  
2" (50mm)-1" (25mm) REDUCER  
1" (25mm) HOSEBARB W/SS CLAMP  
TO BE PROVIDED BY CONTRACTOR

D

D

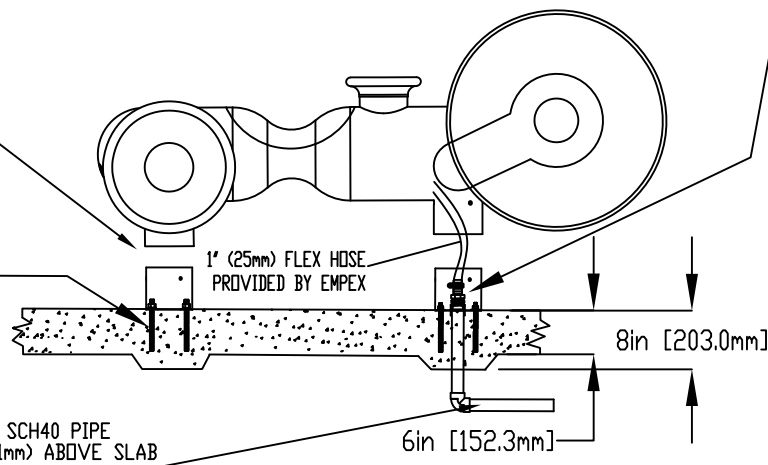
1. BOLT INSERT SLEEVES
2. MAKE PLUMBING CONNECTIONS
3. LOWER TOY AND BOLT TO INSERTS

1/2" (13MM) x 8' (203mm) 316SS  
THREADED ROD, C/W FENDERWASHER,  
LOCKWASHER & NUT MIN (X4), MINIMUM  
6" (152mm) EMBEDMENT, EPOXY SET  
ANCHOR ADHESIVE  
TO BE PROVIDED BY CONTRACTOR

E

E

WATERFEED  
2" (50mm) PVC SCH40 PIPE  
EXTENDED 6" (1mm) ABOVE SLAB



F

F



Notes: Overall dimensions of toys are approximate.

© EMPEX WATERTOYS

WATER SUPPLY

30 gpm @ 25 psi  
1.89L/S @17.5m

AQUAROLL

ABU 105

18/02/2022

SCALE:

Sheet  
1 of 1

1

2

3

4