

1

2

3

4

NOTES:

(1) PURGE ALL WATER SUPPLY LINES TO REMOVE SOLIDS PRIOR TO TOY INSTALLATION.

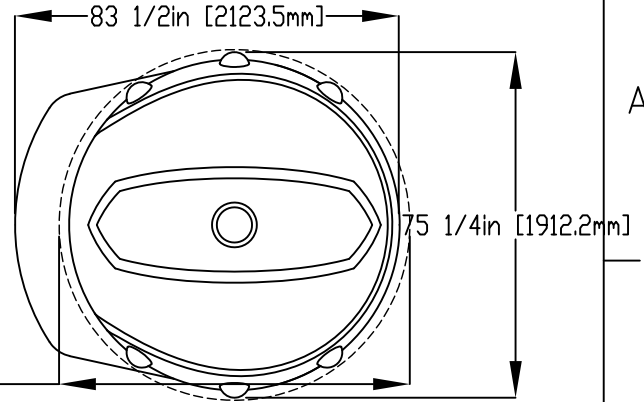
(2) PROVIDE ELECTRICAL BOND WITH POOL REBAR.

(3) INSTALL ALL WATER TOYS PLUMB AND LEVEL.

(4) PROVIDE STRAINER UPSTREAM OF TOY WITH MAX 1/32" (0.8mm) PERFORATIONS.

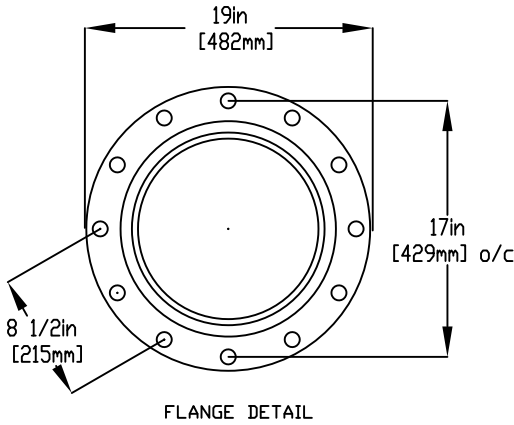
A

A



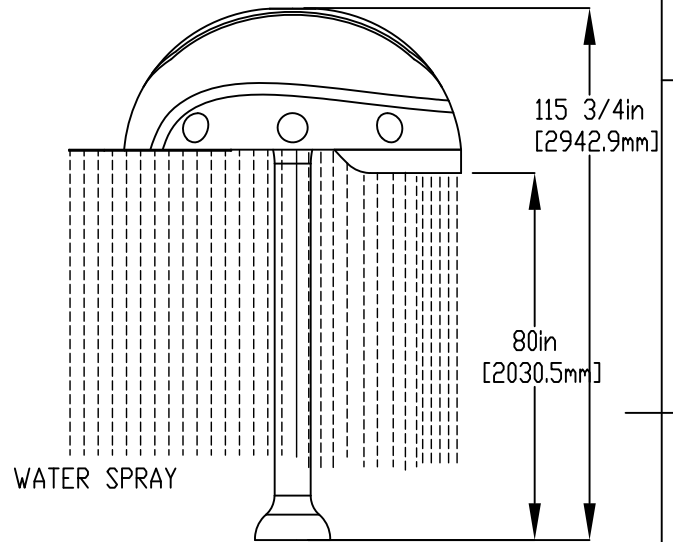
B

B



C

C



D

D

LOWER FLANGE COVER AFTER TOY IS INSTALLED.

ENSURE LEVEL & PLUMB  
12" (300mm) X 1/8" (3mm) GASKET TO BE INSTALLED UNDER FLANGE PROVIDED BY EMPEX

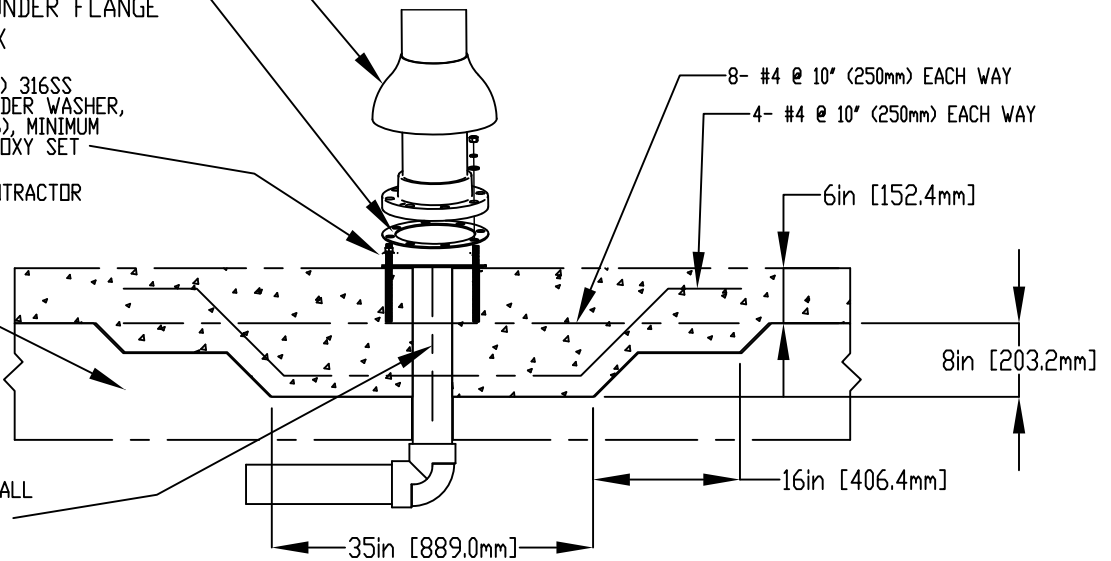
5/8" (16mm) X 9" (230mm) 316SS THREADED ROD, C/W FENDER WASHER, LOCK WASHER & NUT (x6), MINIMUM 6" (150mm) EMBEDMENT. EPOXY SET ANCHOR ADHESIVE TO BE PROVIDED BY CONTRACTOR

E

E

GRANULAR BASE

WATERFEED  
4" (100mm) PVC SCH 40 CUT CLOSE PRIOR TO INSTALL TO ALLOW FULL DRAINAGE (WINTERIZING)



F

F



Notes: Overall dimensions of toys are approximate.

© EMPEX WATERTOYS

WATER SUPPLY  
250gpm @ 10 psi  
15.77L/S @ 7m

AQUABRELLO 6' dia HELMET

ABU886

14/12/2021

SCALE:

Sheet  
1 of 1

1

2

3

4