

NOTES:

- (1) PURGE ALL WATER SUPPLY LINES TO REMOVE SOLIDS PRIOR TO TOY INSTALLATION.
- (2) PROVIDE ELECTRICAL BOND WITH POOL REBAR.
- (3) INSTALL ALL WATER TOYS PLUMB AND LEVEL.
- (4) PROVIDE STRAINER UPSTREAM OF TOY WITH MAX 1/32" (0.8mm) PERFORATIONS.

A

A

B

B

C

C

D

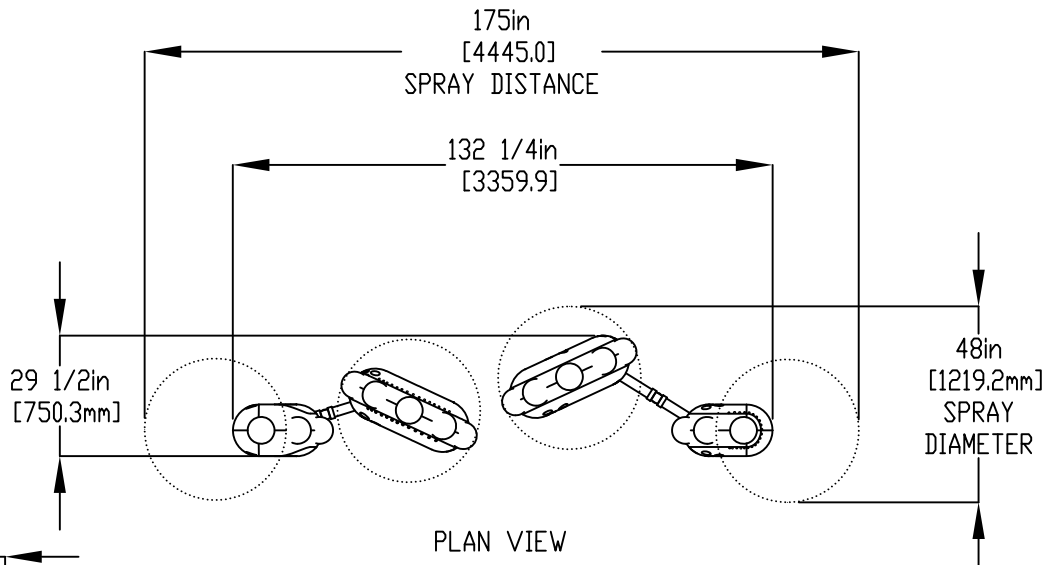
D

E

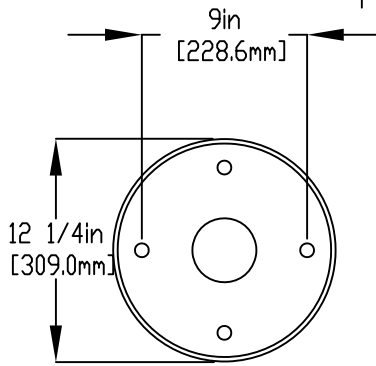
E

F

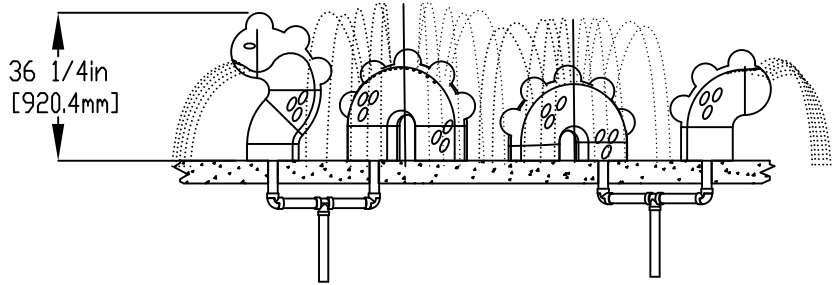
F



PLAN VIEW



BOLT ANCHOR PATTERN



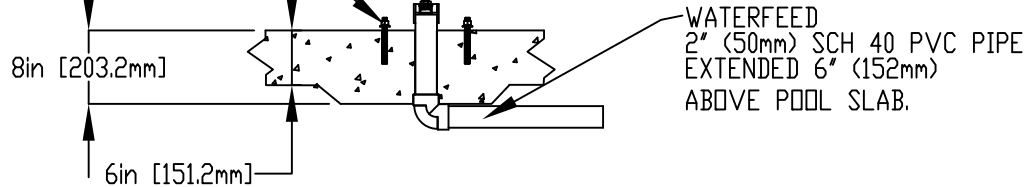
ELEVATION VIEW

- 1. BOLT INSERT SLEEVES
- 2. MAKE PLUMBING CONNECTIONS
- 3. LOWER TOYS AND BOLT TO INSERTS

1" (25mm) HOSE PROVIDED BY EMPEX

1/2" (13mm) X 8" (203mm) 316SS THREADED ROD, C/W FENDER WASHER, LOCK WASHER, & NUT. (X4EA.) MINIMUM 6" (152mm) EMBEDMENT, EPOXY SET ANCHOR ADHESIVE TO BE PROVIDED BY CONTRACTOR

2" (50mm) COUPLING
 2" (50mm) TO 1" (25mm) REDUCER
 1" (25mm) HOSEBARB & SS CLAMP TO BE PROVIDED BY CONTRACTOR



WATERFEED
 2" (50mm) SCH 40 PVC PIPE EXTENDED 6" (152mm) ABOVE POOL SLAB.

Notes: Overall dimensions of toys are approximate.

© EMPEX WATERTOYS



WATER SUPPLY
 120 gpm @ 25 psi
 13.9L/S @17.5m
 (60 gpm (7 L/S) EACH WATER FEED)

AQUADRAG

AC322

31/03/2020

SCALE:

Sheet 1 of 1