

1

2

3

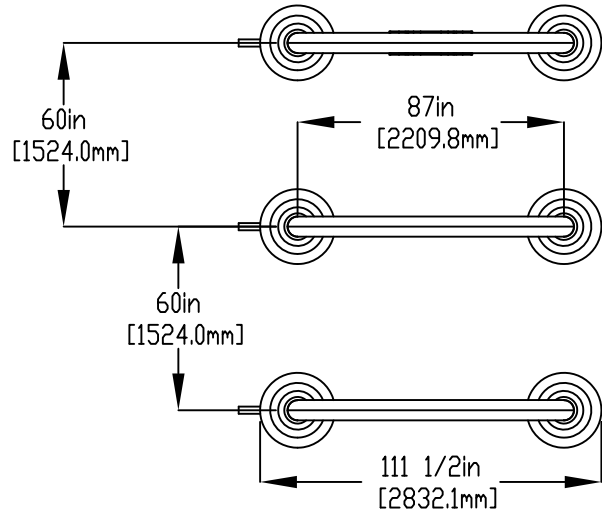
4

NOTES:

- (1) PURGE ALL WATER SUPPLY LINES TO REMOVE SOLIDS PRIOR TO TOY INSTALLATION.
- (2) PROVIDE ELECTRICAL BOND WITH POOL REBAR.
- (3) INSTALL ALL WATER TOYS PLUMB AND LEVEL.
- (4) PROVIDE STRAINER UPSTREAM OF TOY WITH MAX 1/32" (0.8mm) PERFORATIONS.

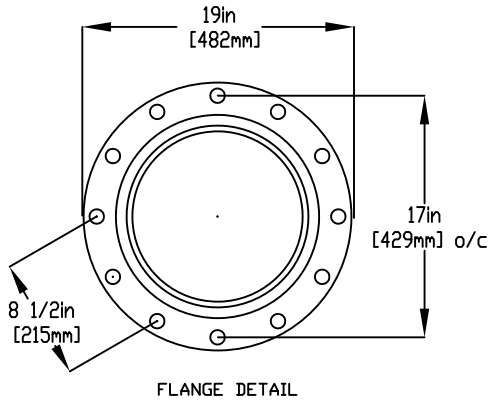
A

A



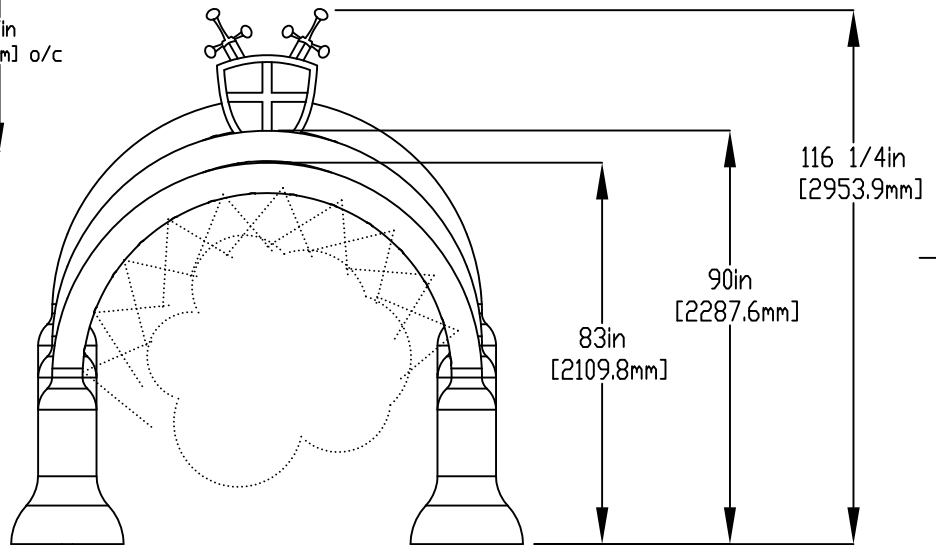
B

B



C

C



D

D

LOWER FLANGE COVER AFTER TOY IS INSTALLED.

5/8" (16mm) X 9" (230mm) 316SS THREADED ROD C/W FENDER WASHER, LOCK WASHER & NUT (X6), MINIMUM 6" (152mm) EMBEDMENT. EPOXY SET ANCHOR ADHESIVE TO BE PROVIDED BY CONTRACTOR

1" (25mm) FLEX HOSE PROVIDED BY EMPEX.

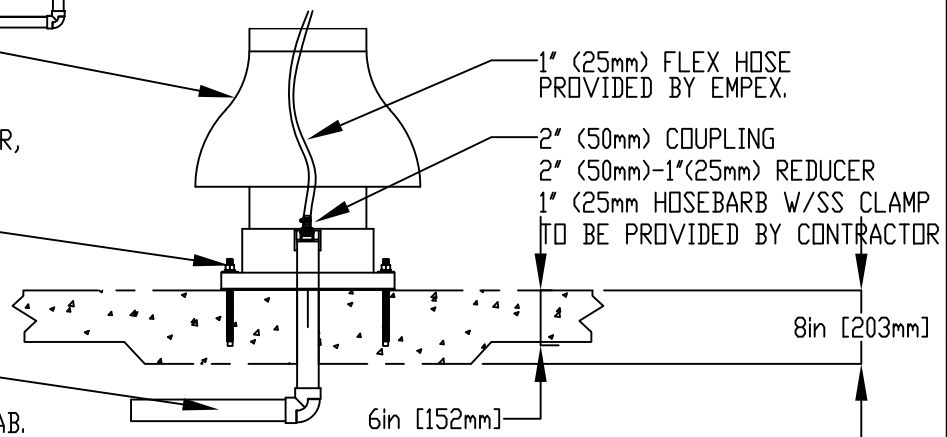
2" (50mm) COUPLING

2" (50mm)-1" (25mm) REDUCER

1" (25mm) HOSE BARB W/SS CLAMP TO BE PROVIDED BY CONTRACTOR

E

E



WATERFEED
2" (50mm) SCH 40 PVC PIPE EXTENDED 6" (152mm) ABOVE SLAB.

F

F



Notes: Overall dimensions of toys are approximate.
Approximate Weight: 264lbs / 120kgs each

© EMPEX WATERTOYS

WATER SUPPLY
35 gpm @ 25 psi
2.21 L/S @ 17.5m
EACH TOY

AQUABOW TRIO

AC811-3

7/12/2021

SCALE:

Sheet 1 of 1

1

2

3

4