

1

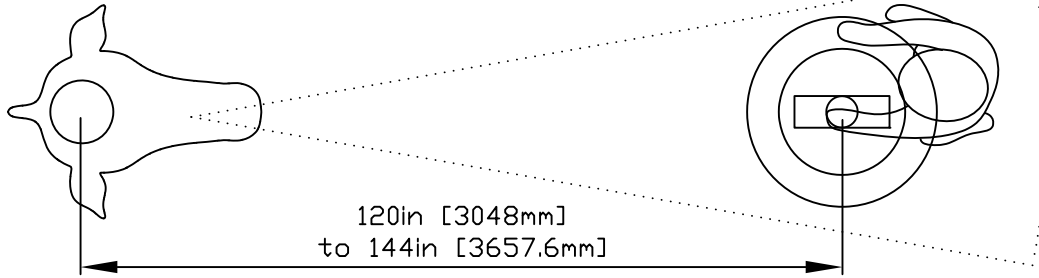
2

3

4

NOTES:

- (1) PURGE ALL WATER SUPPLY LINES TO REMOVE SOLIDS PRIOR TO TOY INSTALLATION.
- (2) PROVIDE ELECTRICAL BOND WITH POOL REBAR.
- (3) INSTALL ALL WATER TOYS PLUMB AND LEVEL.
- (4) PROVIDE STRAINER UPSTREAM OF TOY WITH MAX 1/32" (0.8mm) PERFORATIONS.

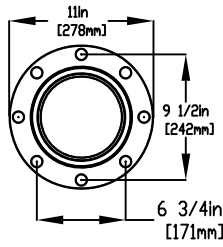
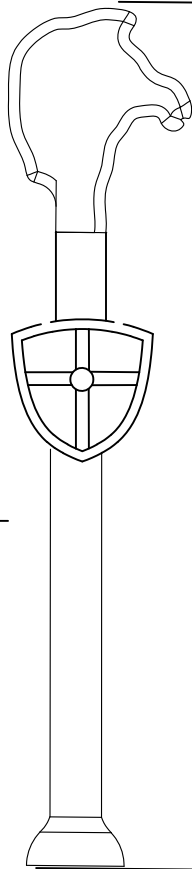


A

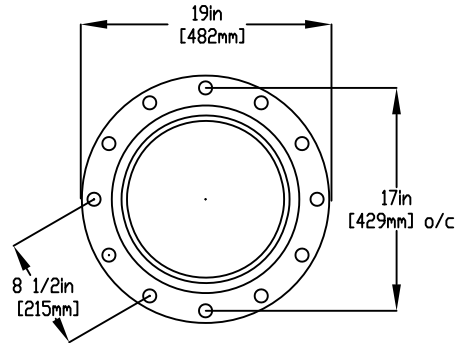
A

B

B



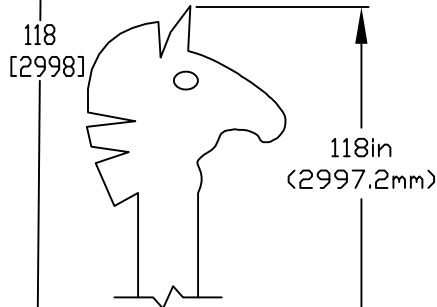
FLANGE DETAIL



FLANGE DETAIL

C

C



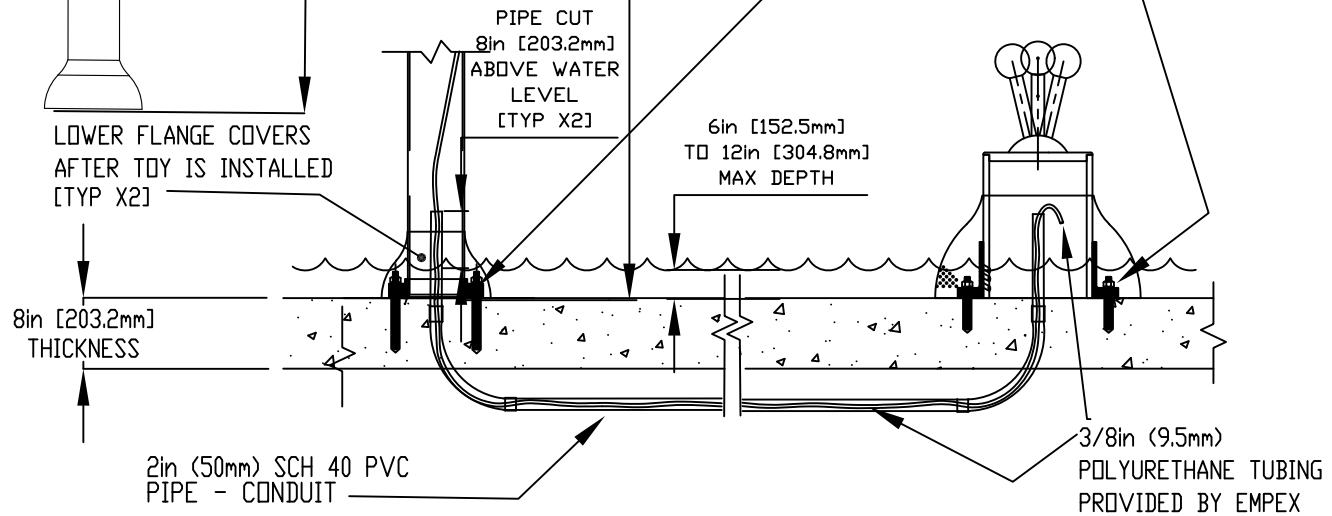
D

D

1/2in (13mm) X 8" (203mm) 316SS
 THREADED ROD C/W FENDER WASHER,
 LOCK WASHER & NUT (X4), MINIMUM
 6" (152mm) EMBEDMENT, EPOXY SET
 ANCHOR ADHESIVE
 TO BE PROVIDED BY CONTRACTOR

E

E



F

F



Notes: Overall dimensions of toys are approximate.

© EMPEX WATERTOYS

WATER SUPPLY
N/A

KIDSPUMPZ

AC977

01/05/2020

SCALE:

Sheet
1 of 1

1

2

3

4