

1

2

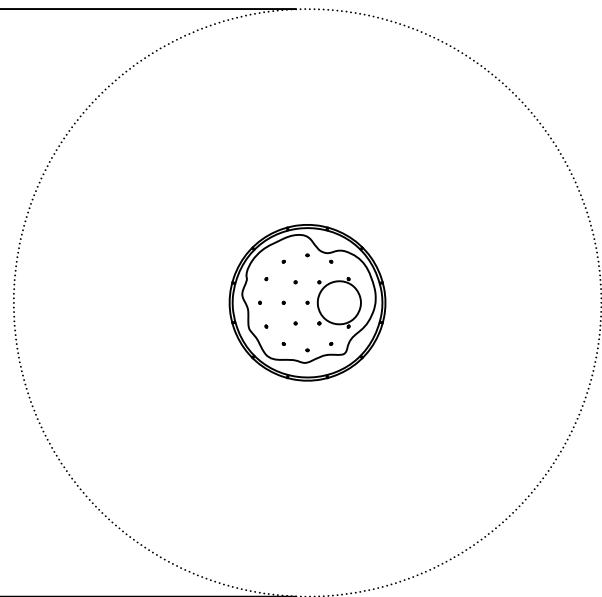
3

4

NOTES:

- (1) PURGE ALL WATER SUPPLY LINES TO REMOVE SOLIDS PRIOR TO TOY INSTALLATION.
- (2) PROVIDE ELECTRICAL BOND WITH POOL REBAR.
- (3) INSTALL ALL WATER TOYS PLUMB AND LEVEL.
- (4) PROVIDE STRAINER UPSTREAM OF TOY WITH MAX 1/32" (0.8mm) PERFORATIONS.

∅96in
[2438.4mm]
SPRAY DIAMETER



A

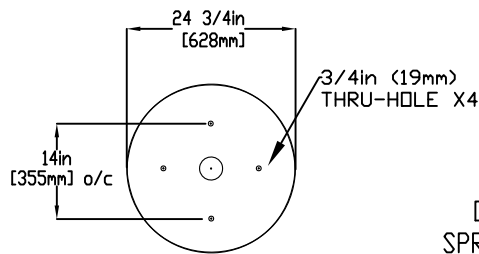
A

B

B

C

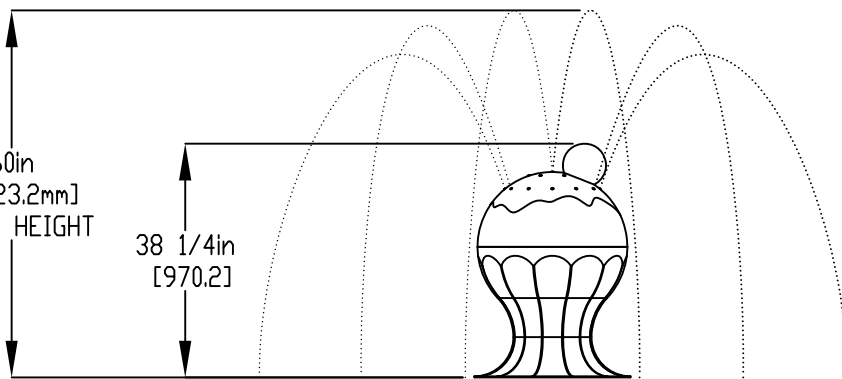
C



MOUNTING PLATE DETAIL

60in
[1523.2mm]
SPRAY HEIGHT

38 1/4in
[970.2]



D

D

1" (25mm) FLEX HOSE PROVIDED BY EMPEX.

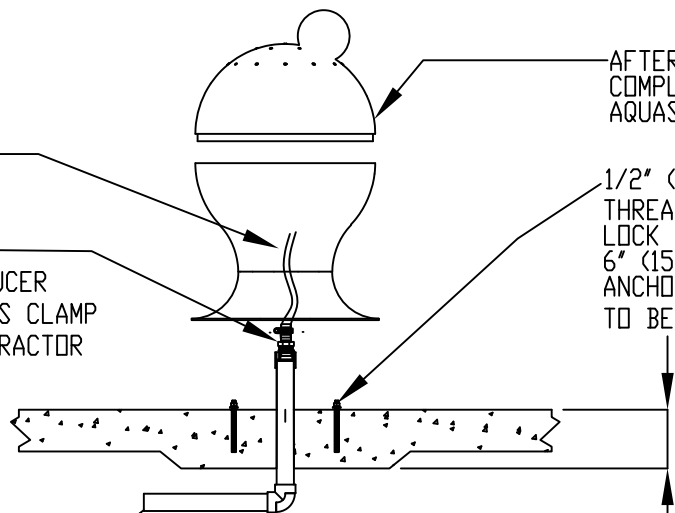
2" (50mm) COUPLING
2" (50mm) - 1" (25mm) REDUCER
1" (25mm) HOSEBARB W/ SS CLAMP TO BE PROVIDED BY CONTRACTOR

AFTER WATER CONNECTION IS COMPLETE, BOLT DOME TO AQUASPHERE BASE.

1/2" (13mm) X 8" (203mm) 316SS THREADED ROD, C/W FENDER WASHER LOCK WASHER, & NUT. (X4) MINIMUM 6" (152mm) EMBEDMENT, EPOXY SET ANCHOR ADHESIVE. TO BE PROVIDED BY CONTRACTOR

WATERFEED
2" (50mm) SCH 40 PVC PIPE
6" (152mm) ABOVE SLAB.

8in [203.2mm]



E

E

F

F



Notes: Overall dimensions of toys are approximate.
Approximate Weight: 42lbs / 19.1kgs

© EMPEX WATERTOYS

WATER SUPPLY
30 gpm @ 25 psi
1.89L/S @17.5m

AQUAYUM

AD105

01/05/2020

SCALE:

Sheet
1 of 1

1

2

3

4