

1

2

3

4

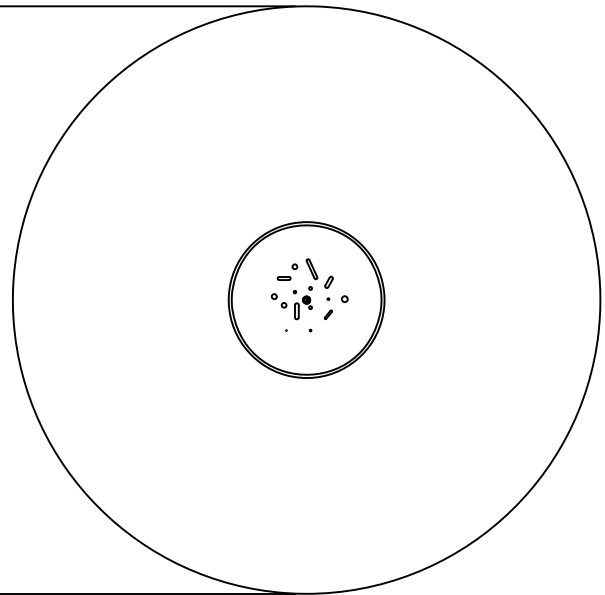
NOTES:

- (1) PURGE ALL WATER SUPPLY LINES TO REMOVE SOLIDS PRIOR TO TOY INSTALLATION.
- (2) PROVIDE ELECTRICAL BOND WITH POOL REBAR.
- (3) INSTALL ALL WATER TOYS PLUMB AND LEVEL.
- (4) PROVIDE STRAINER UPSTREAM OF TOY WITH MAX 1/32" (0.8mm) PERFORATIONS.

A

A

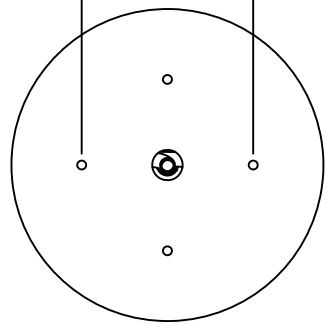
Ø96in  
[2438.4mm]  
SPRAY DIAMETER



B

B

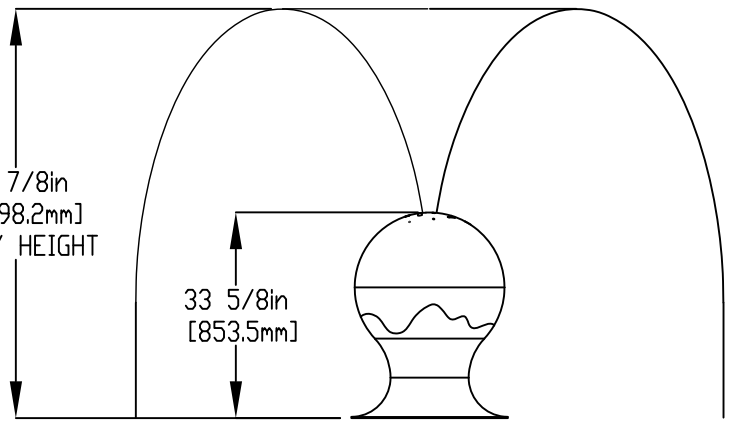
14in  
[356mm]



BASE DETAIL

66 7/8in  
[1698.2mm]  
SPRAY HEIGHT

33 5/8in  
[853.5mm]



C

C

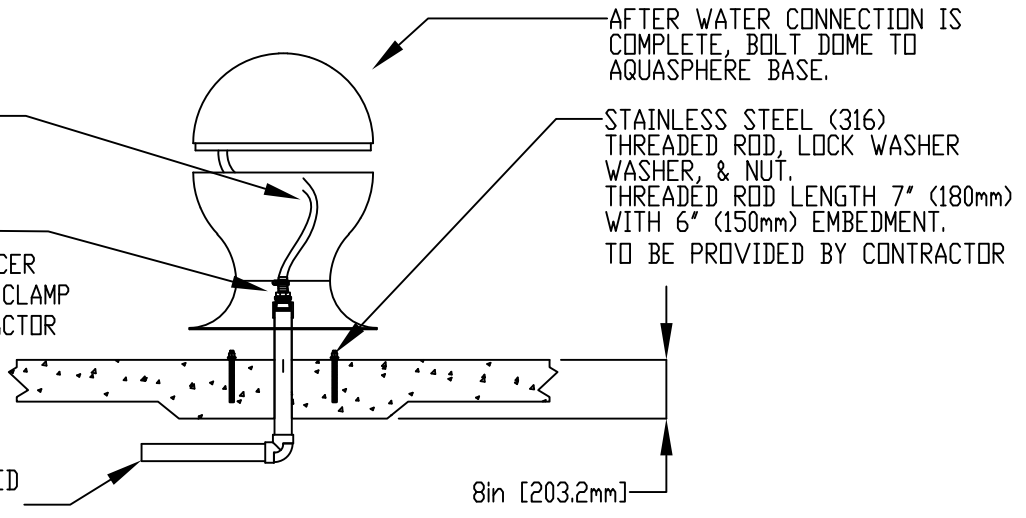
D

D

1" (25mm) FLEX HOSE PROVIDED BY EMPEX.

2" (50mm) COUPLING  
2" (50mm) - 1" (25mm) REDUCER  
1" (25mm) HOSEBARB W/ SS CLAMP TO BE PROVIDED BY CONTRACTOR

2" (50mm) SCH 40 PVC WATERFEED TO BE EXTENDED 8" (200mm) ABOVE SLAB.



E

E

F

F



Notes: Overall dimensions of toys are approximate.  
Approximate Weight: 42lbs / 19.1kgs

© EMPEX WATERTOYS

WATER SUPPLY  
30 gpm @ 25 psi  
1.89L/S @17.5m

AQUATRUFF

AD106

01/05/2020

SCALE:

Sheet  
1 of 1

1

2

3

4