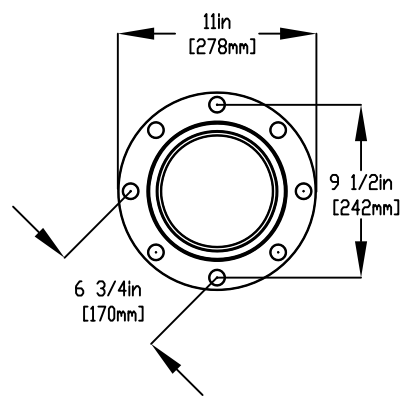


NOTES:

- *RECOMMENDED TO BE INSTALLED ON LEVELLED AREAS ONLY.
- (1) PURGE ALL WATER SUPPLY LINES TO REMOVE SOLIDS PRIOR TO TOY INSTALLATION.
- (2) PROVIDE ELECTRICAL BOND WITH POOL REBAR.
- (3) INSTALL ALL WATER TOYS PLUMB AND LEVEL.
- (4) PROVIDE STRAINER UPSTREAM OF TOY WITH MAX 1/32" (0.8mm) PERFORATIONS.

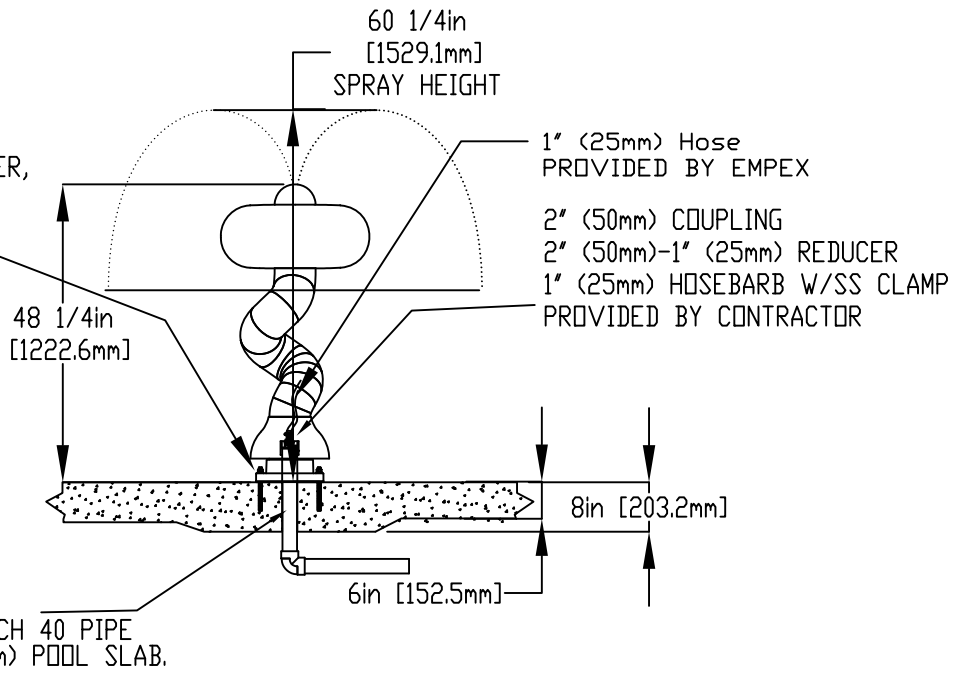
R11 3/4in
[R300.3mm]

∅96in
[2438.4mm]



FLANGE DETAIL

1/2" (13mm) X 8" (203mm) 316SS THREADED ROD, C/W FENDER WASHER, LOCK WASHER & NUT. (X4) MINIMUM 6" (152mm) EMBEDMENT, EPOXY SET ANCHOR ADHESIVE TO BE PROVIDED BY CONTRACTOR



WATERFEED
2" (50mm) PVC SCH 40 PIPE
EXTEND 6" (152mm) POOL SLAB.



Notes: Overall dimensions of toys are approximate.

© EMPEX WATERTOYS

WATER SUPPLY
15 gpm @ 25 psi
1L/S @17.5m

AQUATREAT

AD107

8/22/2018

SCALE:
1:30

Sheet
1 of 1