

**NOTES:**

\*RECOMMENDED TO BE INSTALLED ON LEVELLED AREAS ONLY.

(1) PURGE ALL WATER SUPPLY LINES TO REMOVE SOLIDS PRIOR TO TOY INSTALLATION.

(2) PROVIDE ELECTRICAL BOND WITH POOL REBAR.

(3) INSTALL ALL WATER TOYS PLUMB AND LEVEL.

(4) PROVIDE STRAINER UPSTREAM OF TOY WITH MAX 1/32" (0.8mm) PERFORATIONS.

A

B

C

D

E

F

A

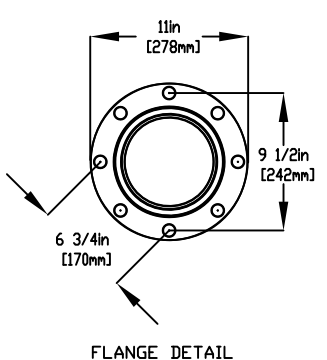
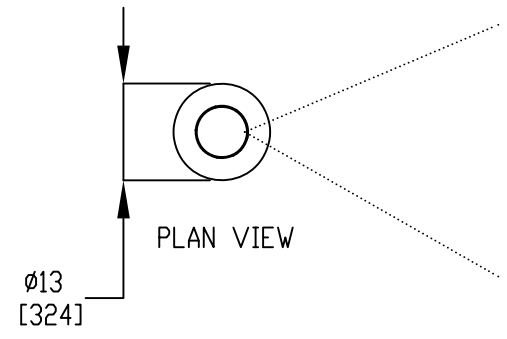
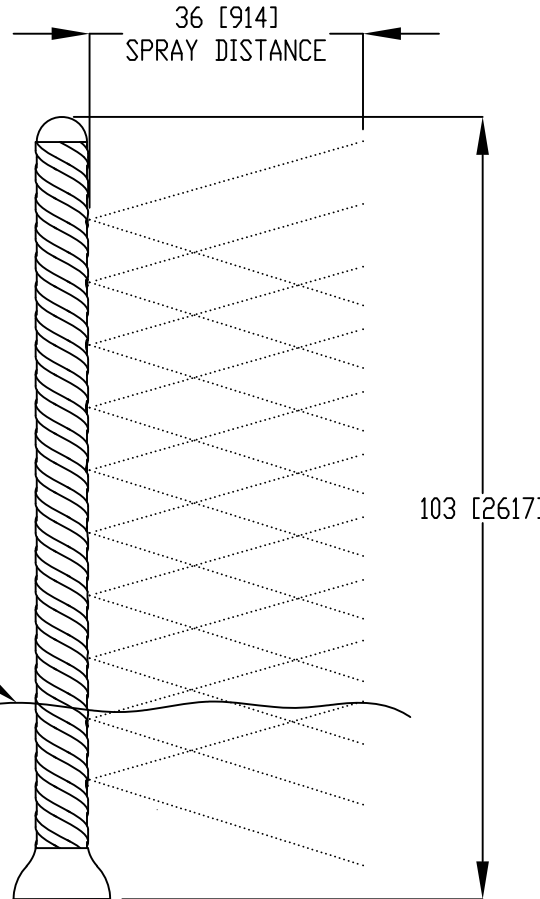
B

C

D

E

F



12in (300mm) MAX WATER DEPTH

103 [2617]

36 [914] SPRAY DISTANCE

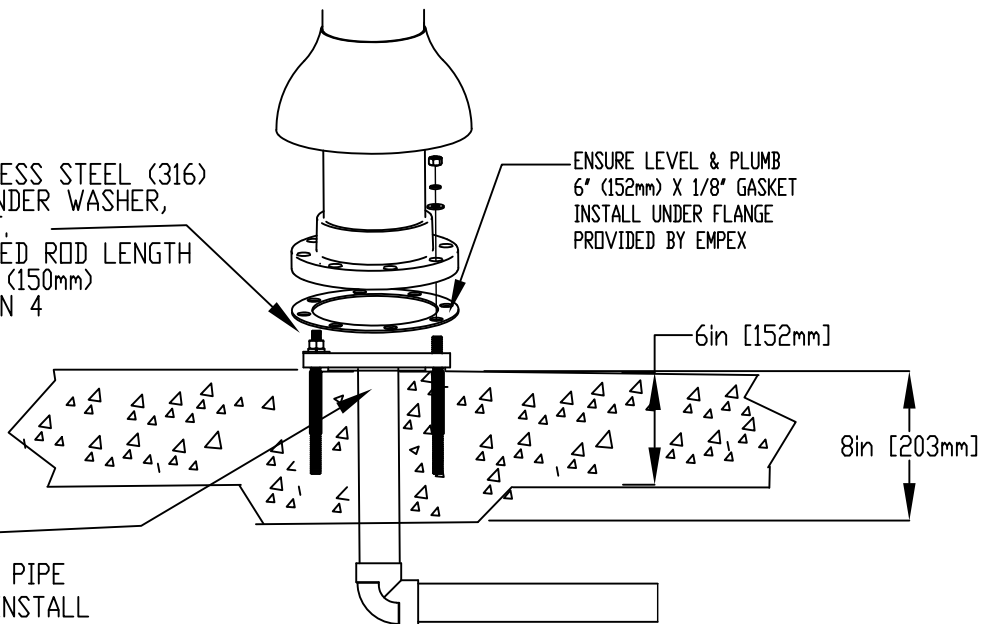
PLAN VIEW

∅13 [324]

FLANGE DETAIL

1/2" (13mm) STAINLESS STEEL (316) THREADED ROD, FENDER WASHER, LOCK WASHER & NUT. SUGGESTED THREADED ROD LENGTH 9" (230mm) WITH 6" (150mm) EMBEDMENT. USE MIN 4 ANCHORS.

ENSURE LEVEL & PLUMB 6" (152mm) X 1/8" GASKET INSTALL UNDER FLANGE PROVIDED BY EMPEX



WATERFEED 2" (50mm) PVC SCH 40 PIPE CUT CLOSE PRIOR TO INSTALL TO ALLOW FULL DRAINAGE (WINTERIZATION)

6in [152mm]

8in [203mm]



Notes: Overall dimensions of toys are approximate.

© EMPEX WATERTOYS

WATER SUPPLY  
20 gpm @ 25 psi  
1.3L/S @17.5m

AQUASPRITZ DOLCE

AD260L

8/29/2018

SCALE:  
1:25

Sheet  
1 of 1