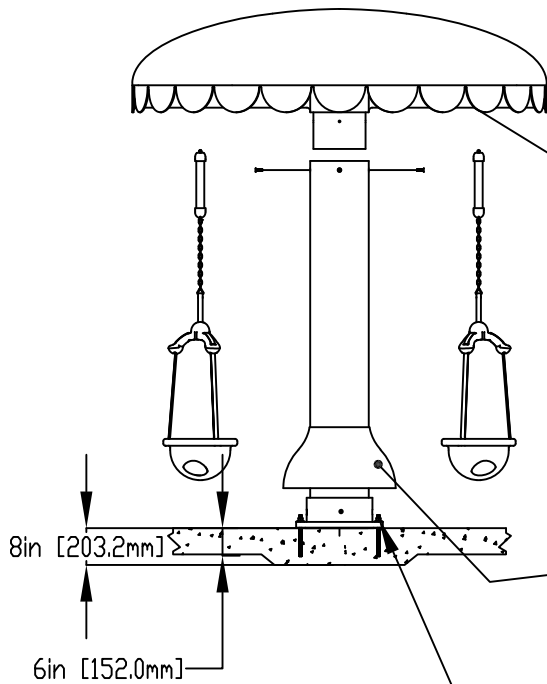
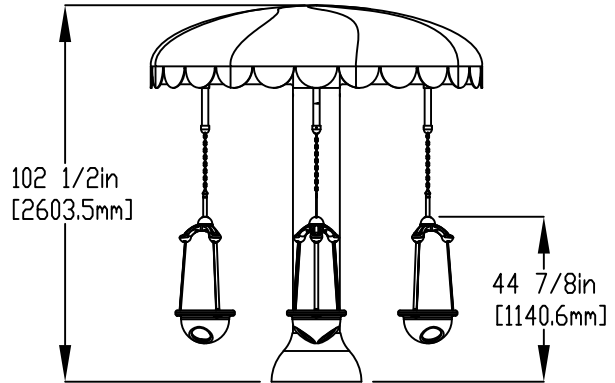
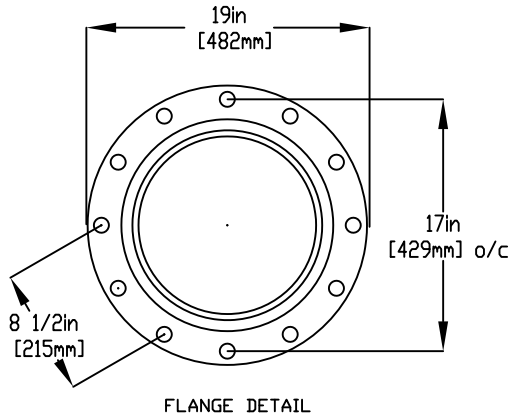
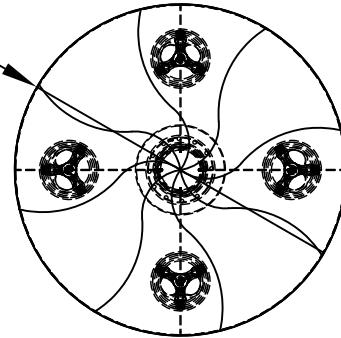


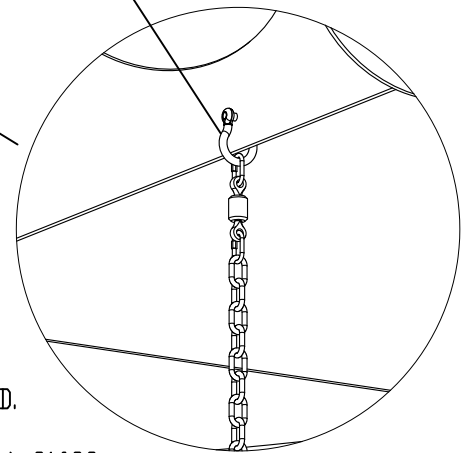
NOTES:

- (1) PURGE ALL WATER SUPPLY LINES TO REMOVE SOLIDS PRIOR TO TOY INSTALLATION.
- (2) PROVIDE ELECTRICAL BOND WITH POOL REBAR.
- (3) INSTALL ALL WATER TOYS PLUMB AND LEVEL.
- (4) PROVIDE STRAINER UPSTREAM OF TOY WITH MAX 1/32" (0.8mm) PERFORATIONS.

ø90 1/4in [ø2292.3mm]



USE SHACKLE TO ATTACH SEATS TO DOME



LOWER FLANGE COVER AFTER TOY IS INSTALLED.

5/8" (16mm) X 8" (203mm) 316SS
 THREADED ROD, C/W FENDER WASHER,
 LOCK WASHER, & NUT (X6) MINIMUM
 6" (150mm) EMBEDMENT. EPOXY SET
 ANCHOR ADHESIVE
 TO BE PROVIDED BY CONTRACTOR

Notes: Overall dimensions of toys are approximate.
 Approximate Weight: 490lbs /222.7kgs

© EMPEX WATERTOYS



WATER SUPPLY

N/A

BABY BUNGEE DOME DOLCE

AD504D

8/23/2018

SCALE:

Sheet 1 of 1