

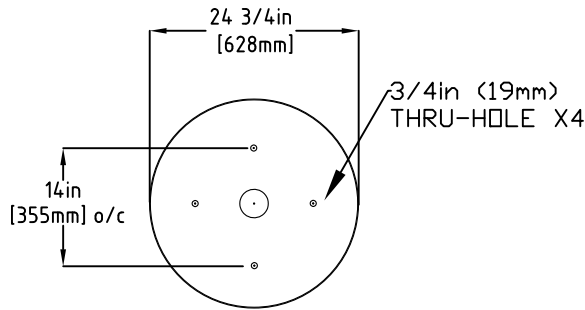
NOTES:

(1) PURGE ALL WATER SUPPLY LINES TO REMOVE SOLIDS PRIOR TO TOY INSTALLATION.

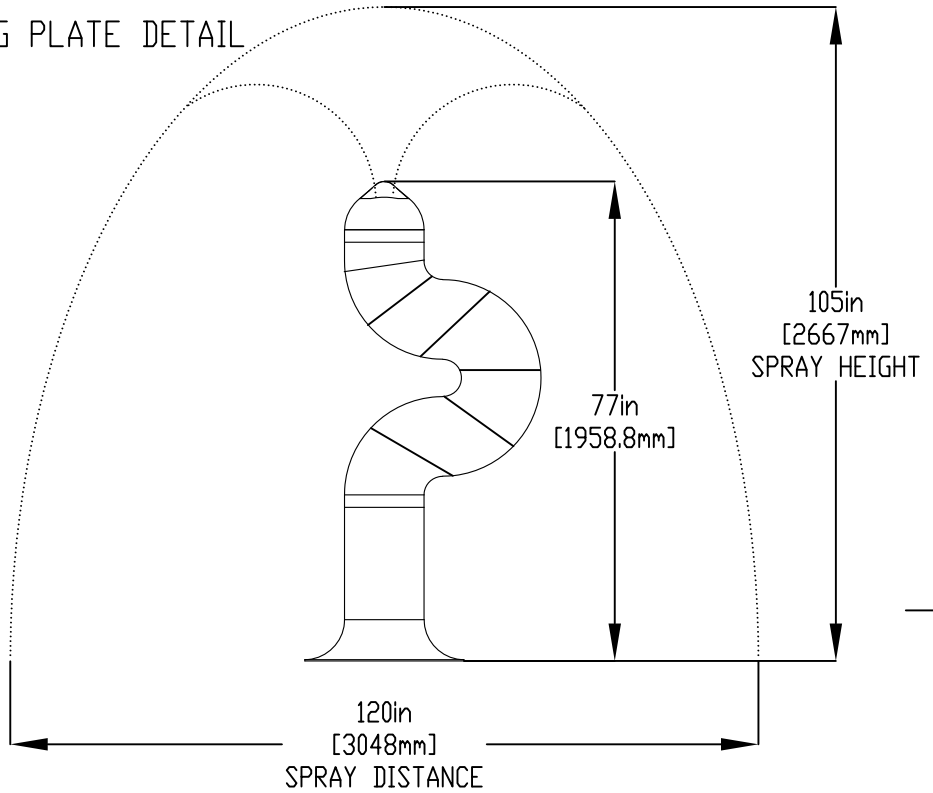
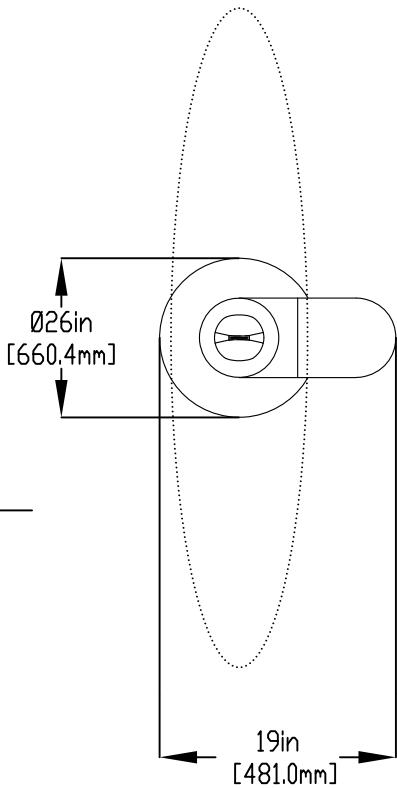
(2) PROVIDE ELECTRICAL BOND WITH POOL REBAR.

(3) INSTALL ALL WATER TOYS PLUMB AND LEVEL.

(4) PROVIDE STRAINER UPSTREAM OF TOY WITH MAX 1/32" (0.8mm) PERFORATIONS.



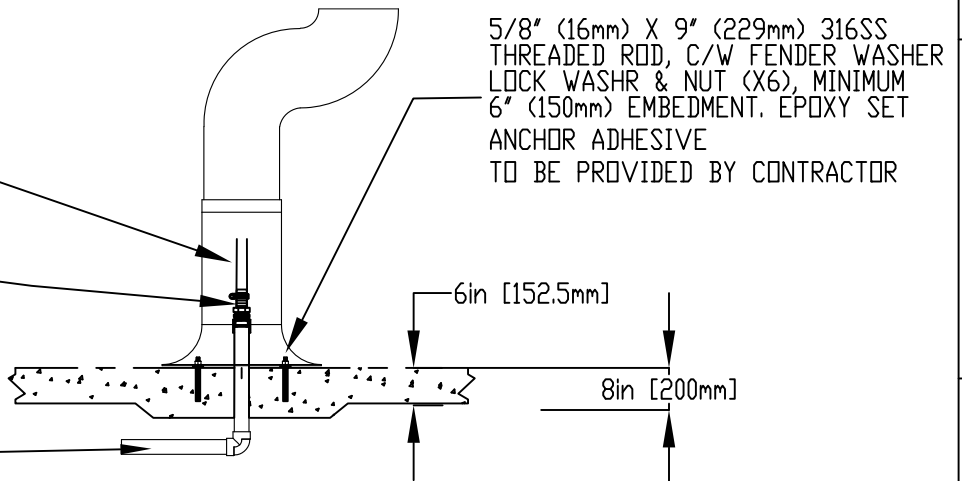
MOUNTING PLATE DETAIL



1" (25mm) FLEX HOSE PROVIDED BY EMPEX.

2" (50mm) COUPLING,
2" (50mm)-1" (25mm) REDUCER,
1" (25mm) HOSEBARB W/SS CLAMP
TO BE SUPPLIED BY CONTRACTOR

WATERFEED
2" (50mm) PVC SCH 40 PIPE
6" (152mm) ABOVE SLAB.



5/8" (16mm) X 9" (229mm) 316SS
THREADED ROD, C/W FENDER WASHER
LOCK WASHR & NUT (X6), MINIMUM
6" (150mm) EMBEDMENT. EPOXY SET
ANCHOR ADHESIVE
TO BE PROVIDED BY CONTRACTOR

Notes: Overall dimensions of toys are approximate.
Approximate Weight: TBD

© EMPEX WATERTOYS



WATER SUPPLY
15 gpm @ 25 psi
1 L/S @17.5m

AQUAJOG DOLCE

AD805

09/02/2022

SCALE:

Sheet
1 of 1