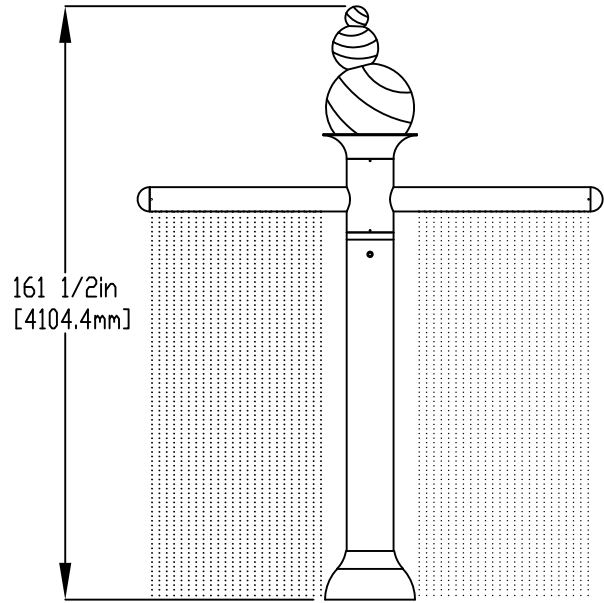
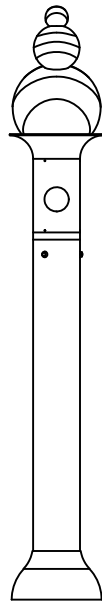
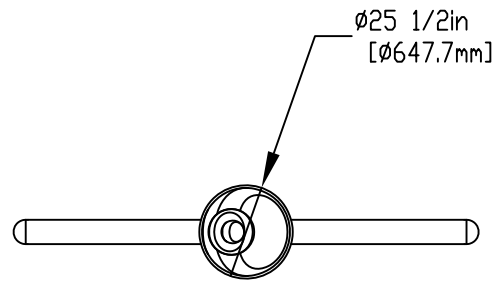
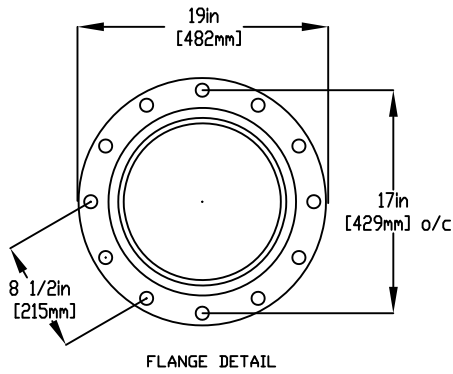


NOTES:

- (1) PURGE ALL WATER SUPPLY LINES TO REMOVE SOLIDS PRIOR TO TOY INSTALLATION.
- (2) PROVIDE ELECTRICAL BOND WITH POOL REBAR.
- (3) INSTALL ALL WATER TOYS PLUMB AND LEVEL.
- (4) PROVIDE STRAINER UPSTREAM OF TOY WITH MAX 1/32" (.08mm) PERFORATIONS.



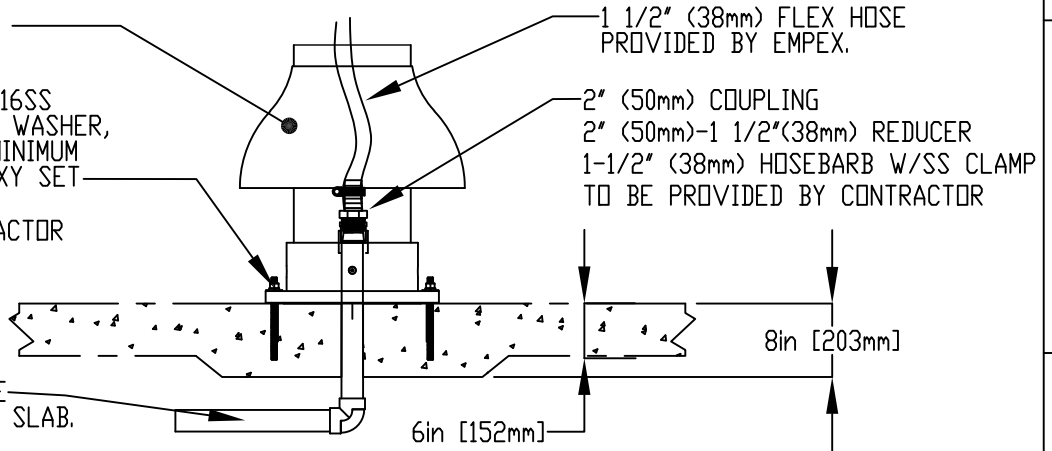
LOWER FLANGE COVER AFTER TOY IS INSTALLED.

5/8" (16mm) X 9" (230mm) 316SS
 THREADED ROD C/W FENDER WASHER,
 LOCK WASHER, & NUT (X6), MINIMUM
 6" (152mm) EMBEDMENT, EPOXY SET
 ANCHOR ADHESIVE
 TO BE PROVIDED BY CONTRACTOR

1 1/2" (38mm) FLEX HOSE PROVIDED BY EMPEX.

2" (50mm) COUPLING
 2" (50mm)-1 1/2" (38mm) REDUCER
 1-1/2" (38mm) HOSEBARB W/SS CLAMP
 TO BE PROVIDED BY CONTRACTOR

WATERFEED
 2" (50mm) SCH 40 PVC PIPE
 EXTENDED 6" (152mm) ABOVE SLAB.



Notes: Overall dimensions of toys are approximate.

© EMPEX WATERTOYS

WATER SUPPLY
 50 gpm @ 25 psi
 3.15 L/S @ 17.5m

AQUATEE

AD871

10/02/2022

SCALE:

Sheet 1 of 1