

1

2

3

4

NOTES:

(1) PURGE ALL WATER SUPPLY LINES TO REMOVE SOLIDS PRIOR TO TOY INSTALLATION.

(2) PROVIDE ELECTRICAL BOND WITH POOL REBAR.

(3) INSTALL ALL WATER TOYS PLUMB AND LEVEL.

(4) PROVIDE STRAINER UPSTREAM OF TOY WITH MAX 1/32" (0.8mm) PERFORATIONS.

A

B

C

D

E

F

A

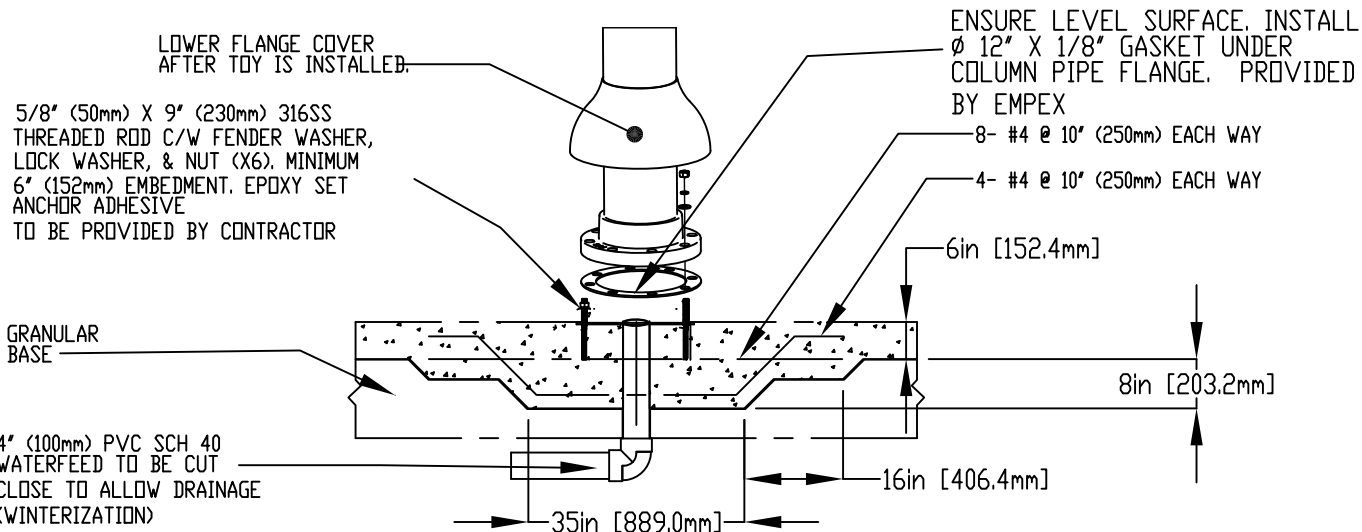
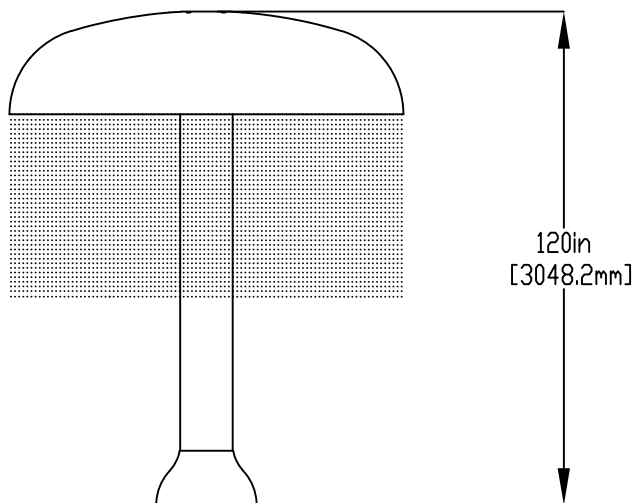
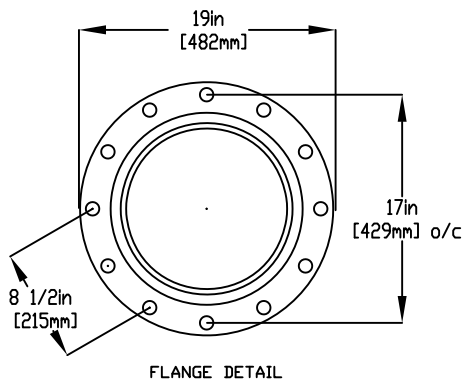
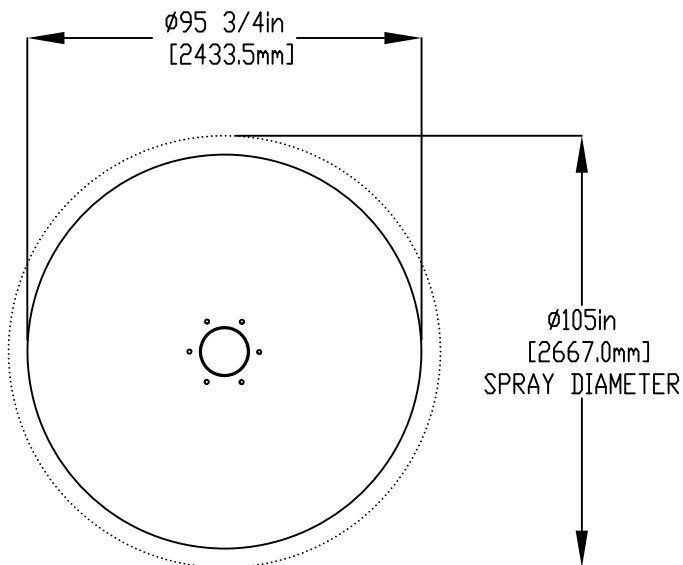
B

C

D

E

F



Notes: Overall dimensions of toys are approximate.
Approximate Weight: 398lbs / 180.9kgs

© EMPEX WATERTOYS

WATER SUPPLY

400 gpm @ 10 psi
25.3 L/S @ 7 m

AQUABRELLA DOLCE

AD888

10/02/2022

SCALE:

Sheet
1 of 1

1

2

3

4