

NOTES:

- (1) PURGE ALL WATER SUPPLY LINES TO REMOVE SOLIDS PRIOR TO TOY INSTALLATION.
- (2) PROVIDE ELECTRICAL BOND WITH POOL REBAR.
- (3) INSTALL ALL WATER TOYS PLUMB AND LEVEL.
- (4) PROVIDE STRAINER UPSTREAM OF TOY WITH MAX PERFORATIONS. #32" (0.8mm)

A

B

C

D

E

F

A

B

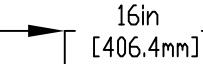
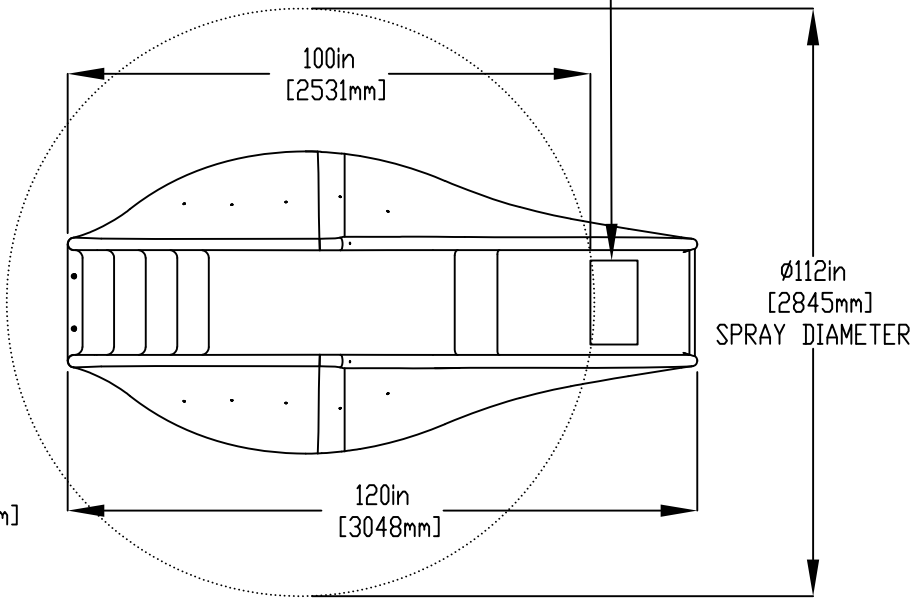
C

D

E

F

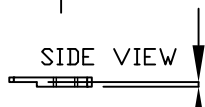
LEXAN ANCHOR PLATE PROVIDED BY EMPEX



TOP VIEW

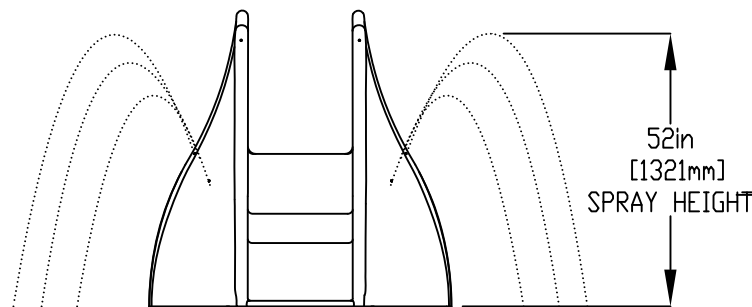


FRONT VIEW

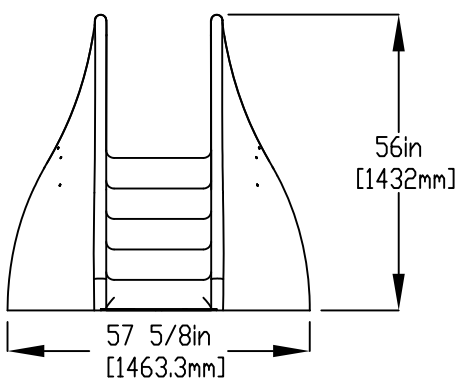


SIDE VIEW

ANCHOR PLATE



52in [1321mm] SPRAY HEIGHT



56in [1432mm]

57 5/8in [1463.3mm]

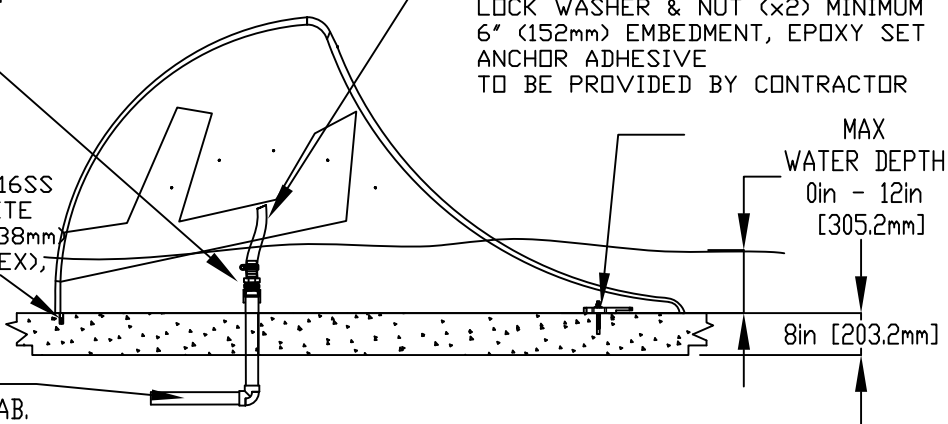
1' (25mm) FLEX HOSE PROVIDED BY EMPEX

1/2" (13mm) X 8" (203mm) 316SS THREADED ROD C/W FENDER WASHER, LOCK WASHER & NUT (x2) MINIMUM 6" (152mm) EMBEDMENT, EPOXY SET ANCHOR ADHESIVE TO BE PROVIDED BY CONTRACTOR

2" (50mm) COUPLING
 2" (50mm) TO 1" (25mm) REDUCER
 1" (25mm) HOSEBARB W/ SS CLAMP TO BE PROVIDED BY CONTRACTOR

1/2" (13mm) X 1-1/2" (38mm) 316SS COUNTER SINK SCREWS COMPLETE WITH 2" FEMALE ANCHOR, 2" (38mm) EMBEDMENT (PROVIDED BY EMPEX), EPOXY SET ANCHOR ADHESIVE

WATERFEED
 2" (50mm) SCH 40 PVC PIPE EXTENDED 6" (152mm) ABOVE SLAB.



MAX WATER DEPTH 0in - 12in [305.2mm]

8in [203.2mm]

Notes: Overall dimensions of toys are approximate.
 Approximate Weight: 156lbs / 70.9kgs

© EMPEX WATERTOYS



WATER SUPPLY

30 gpm @ 20 psi
 1.89 L/S @14.5m

AQUAWAVE AERO

AE450

1/20/2020

SCALE:

Sheet 1 of 1