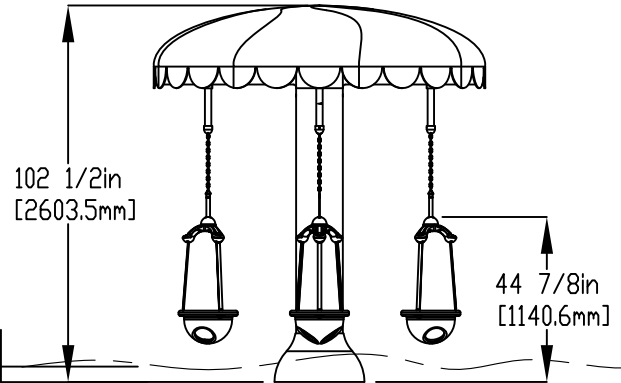
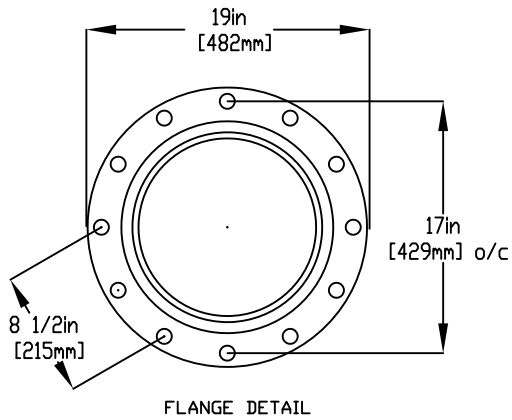
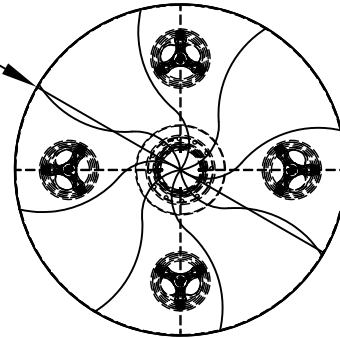


NOTES:

- (1) PURGE ALL WATER SUPPLY LINES TO REMOVE SOLIDS PRIOR TO TOY INSTALLATION.
- (2) PROVIDE ELECTRICAL BOND WITH POOL REBAR.
- (3) INSTALL ALL WATER TOYS PLUMB AND LEVEL.
- (4) PROVIDE STRAINER UPSTREAM OF TOY WITH MAX 1/32" (0.8mm) PERFORATIONS.

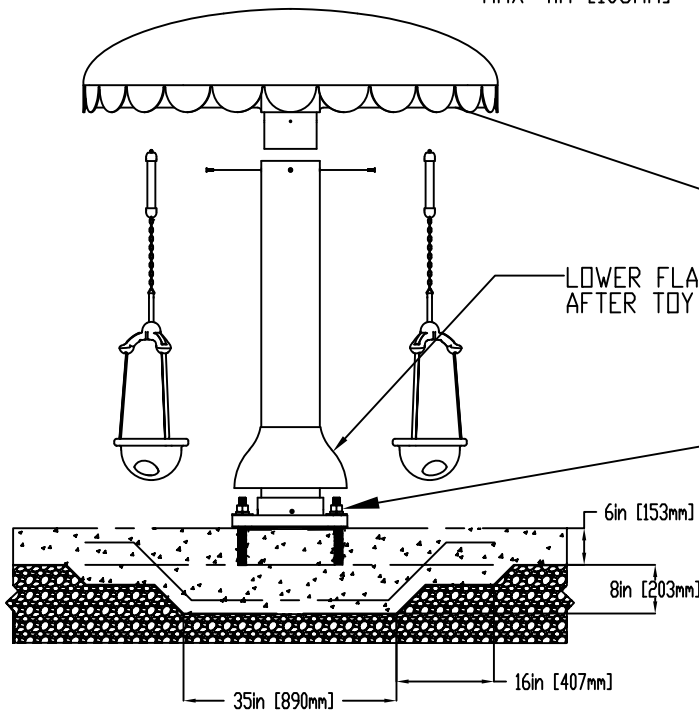
ø90in  
[ø2292mm]



WATER DEPTH  
MIN 0" (0mm)  
MAX 4in [108mm]

USE SHACKLE TO ATTACH SEATS TO DOME

LOWER FLANGE COVER AFTER TOY IS INSTALLED.



5/8" (16mm) X 8" (203mm) 316SS  
THREADED ROD, C/W FENDER WASHER,  
LOCK WASHER, & NUT (X6) MINIMUM  
6" (150mm) EMBEDMENT. EPOXY SET  
ANCHOR ADHESIVE  
TO BE PROVIDED BY CONTRACTOR

Notes: Overall dimensions of toys are approximate.  
Approximate Weight: 490lbs /222.7kgs

© EMPEX WATERTOYS



WATER SUPPLY

N/A

BABY BUNGEE DOME AREO

AE504D

8/23/2018

SCALE:

Sheet  
1 of 1