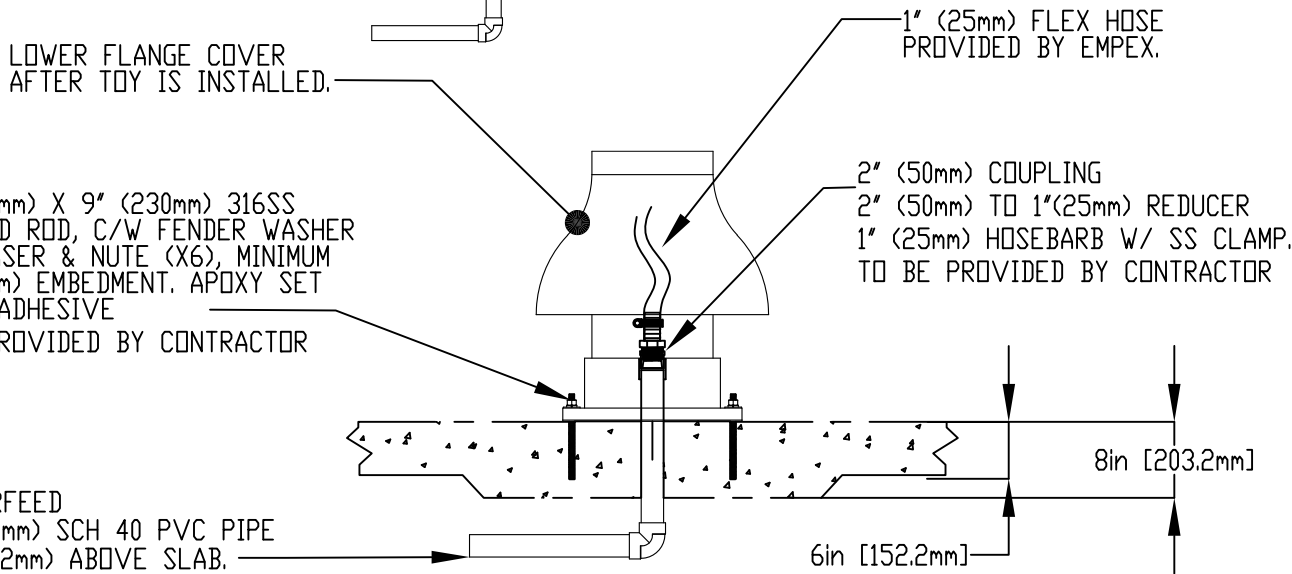
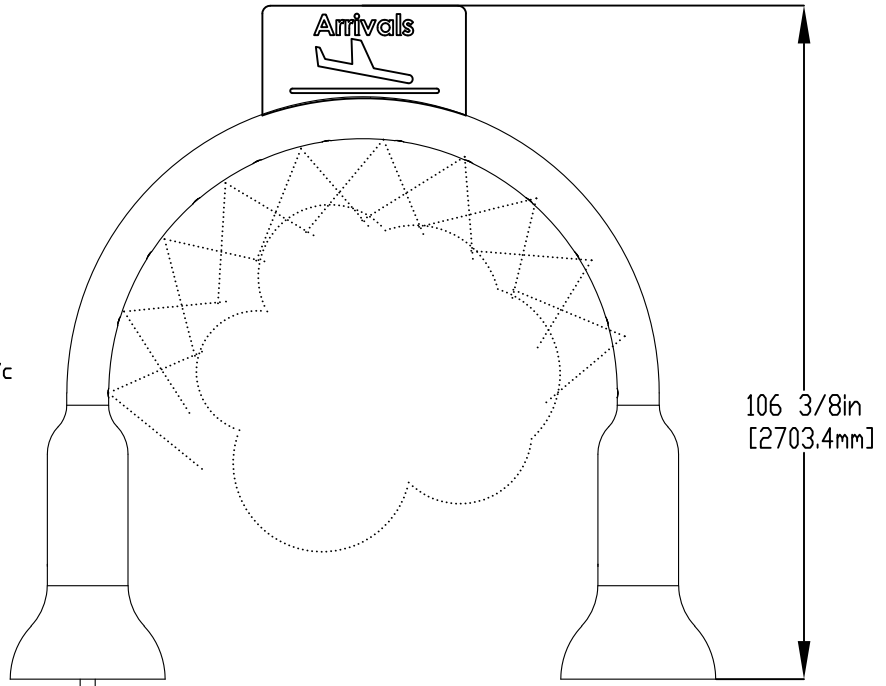
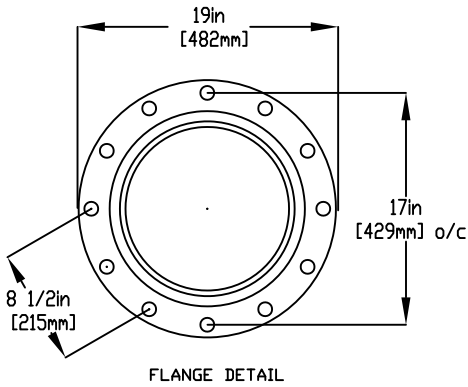
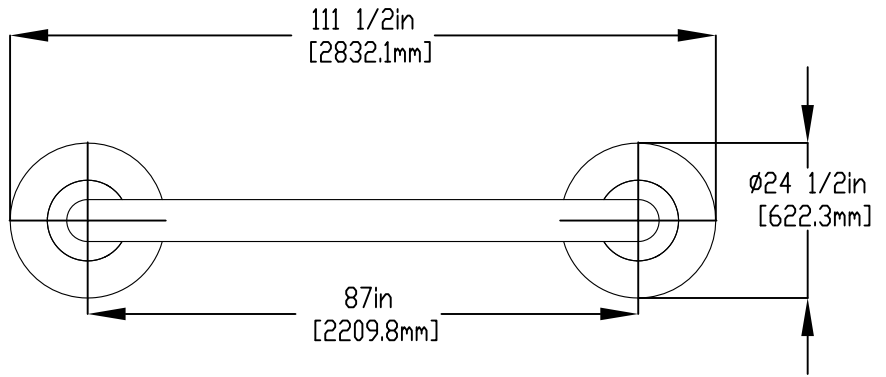


NOTES:

- (1) PURGE ALL WATER SUPPLY LINES TO REMOVE SOLIDS PRIOR TO TOY INSTALLATION.
- (2) PROVIDE ELECTRICAL BOND WITH POOL REBAR.
- (3) INSTALL ALL WATER TOYS PLUMB AND LEVEL.
- (4) PROVIDE STRAINER UPSTREAM OF TOY WITH MAX 1/32" (0.8mm) PERFORATIONS.



5/8" (16mm) X 9" (230mm) 316SS
 THREADED ROD, C/W FENDER WASHER
 LOCK WASER & NUTE (X6), MINIMUM
 6" (152mm) EMBEDMENT. APOXY SET
 ANCHOR ADHESIVE
 TO BE PROVIDED BY CONTRACTOR

1" (25mm) FLEX HOSE
 PROVIDED BY EMPEX.

2" (50mm) COUPLING
 2" (50mm) TO 1"(25mm) REDUCER
 1" (25mm) HOSEBARB W/ SS CLAMP.
 TO BE PROVIDED BY CONTRACTOR

WATERFEED
 2" (50mm) SCH 40 PVC PIPE
 6" (152mm) ABOVE SLAB.



Notes: Overall dimensions of toys are approximate.
 Approximate Weight: 274lbs / 124kgs

© EMPEX WATERTOYS

WATER SUPPLY
 35 gpm @ 25 psi
 2.21L/S @17.5m

AQUABOW

AE811

06/07/2022

SCALE:

Sheet
 1 of 1