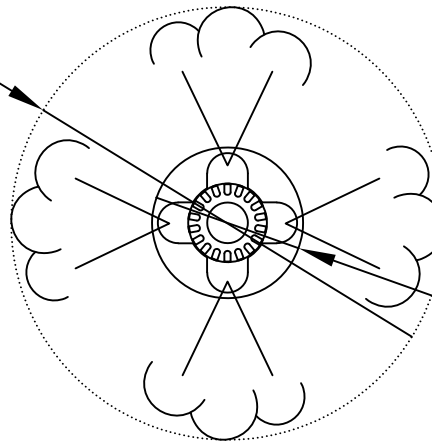


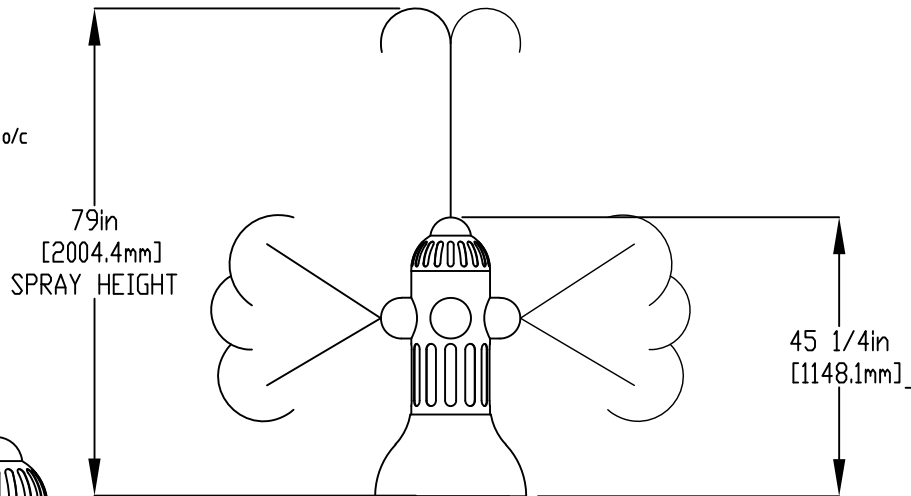
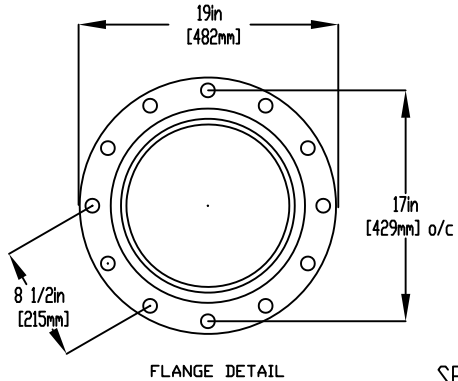
NOTES:

- (1) PURGE ALL WATER SUPPLY LINES TO REMOVE SOLIDS PRIOR TO TOY INSTALLATION.
- (2) PROVIDE ELECTRICAL BOND WITH POOL REBAR.
- (3) INSTALL ALL WATER TOYS PLUMB AND LEVEL.
- (4) PROVIDE STRAINER UPSTREAM OF TOY WITH MAX 1/32" (0.8mm) PERFORATIONS.

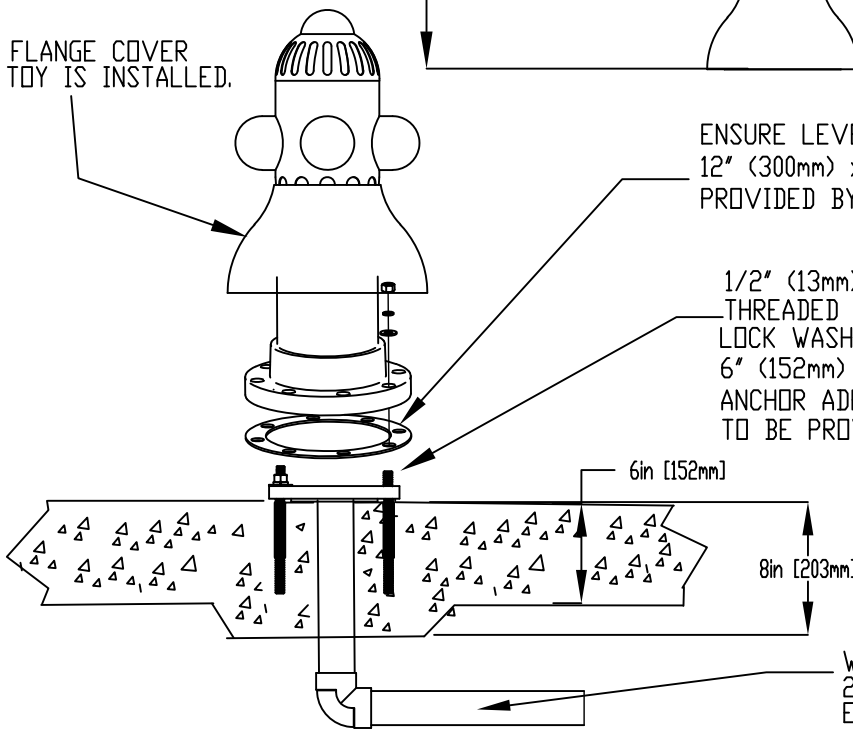
ø70in
[ø1780.5mm]
SPRAY DIAMETER



ø24 1/2in
[ø622.3mm]



LOWER FLANGE COVER AFTER TOY IS INSTALLED.



ENSURE LEVEL & PLUMB
12" (300mm) x 1/8" (3mm) GASKET
PROVIDED BY EMPEX

1/2" (13mm) X 8" (203mm) 316SS
THREADED ROD C/W FENDER WASHER,
LOCK WASHER & NUT (X4), MINIMUM
6" (152mm) EMBEDMENT, EPOXY SET
ANCHOR ADHESIVE
TO BE PROVIDED BY CONTRACTOR

WATERFEED
2" (50mm) SCH 40 PVC PIPE
EXTENDED 6" (152mm) ABOVE SLAB.

Notes: Overall dimensions of toys are approximate.

© EMPEX WATERTOYS



WATER SUPPLY
40gpm @ 25psi
2.5L/S @17.5m

AQUAPLUG

AF101

3/31/2020

SCALE:
1:30

Sheet
1 of 1