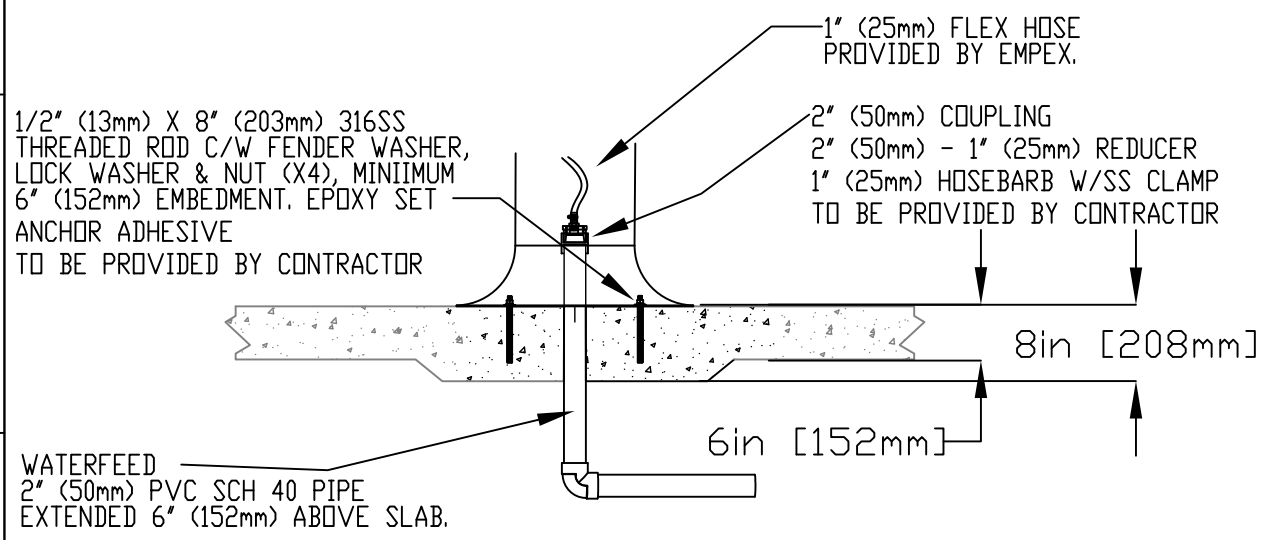
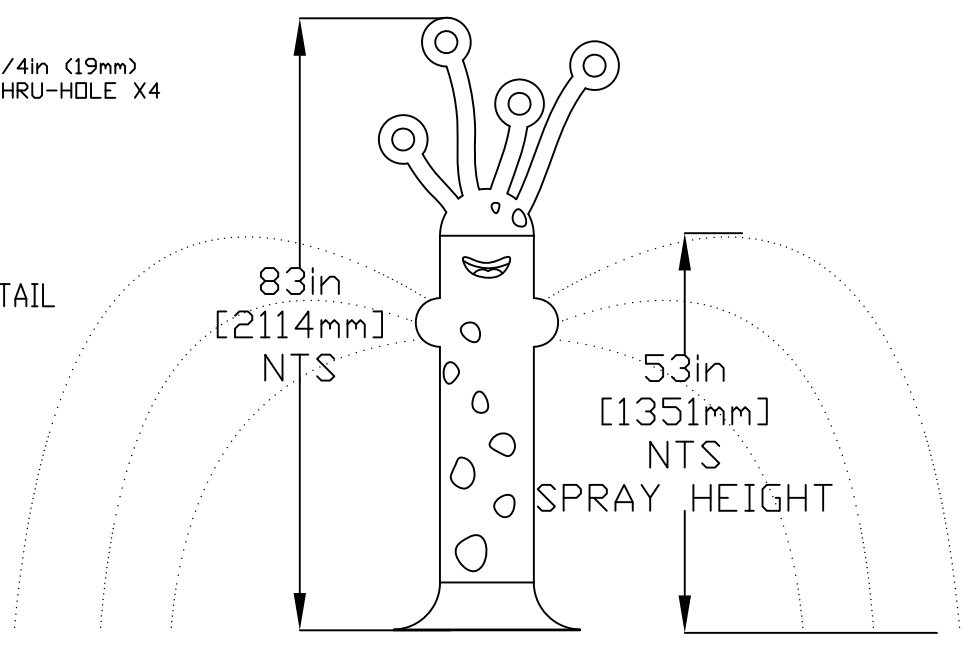
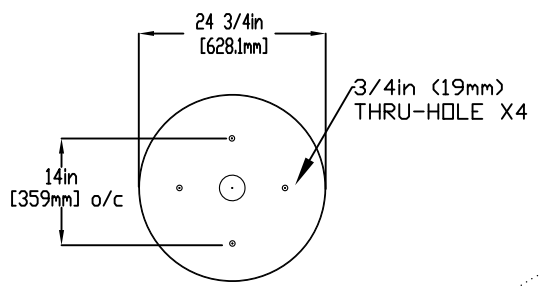
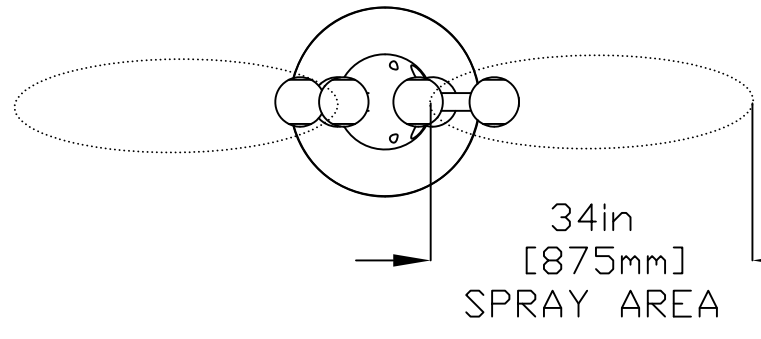


NOTES:

- (1) PURGE ALL WATER SUPPLY LINES TO REMOVE SOLIDS PRIOR TO TOY INSTALLATION.
- (2) PROVIDE ELECTRICAL BOND WITH POOL REBAR.
- (3) INSTALL ALL WATER TOYS PLUMB AND LEVEL.
- (4) PROVIDE STRAINER UPSTREAM OF TOY WITH MAX 1/32" (0.8mm) PERFORATIONS.



	Notes: Overall dimensions of toys are approximate.		© EMPEX WATERTOYS		
	WATER SUPPLY 30 gpm @ 25 psi 1.89L/S @17.5m		AQUAERIS AG101		
			21/07/2022	SCALE:	Sheet 1 of 1