

NOTES:

(1) PURGE ALL WATER SUPPLY LINES TO REMOVE SOLIDS PRIOR TO TOY INSTALLATION.

(2) PROVIDE ELECTRICAL BOND WITH POOL REBAR.

(3) INSTALL ALL WATER TOYS PLUMB AND LEVEL.

(4) PROVIDE STRAINER UPSTREAM OF TOY WITH MAX 1/32" (0.8mm) PERFORATIONS.

A

A

B

B

C

C

D

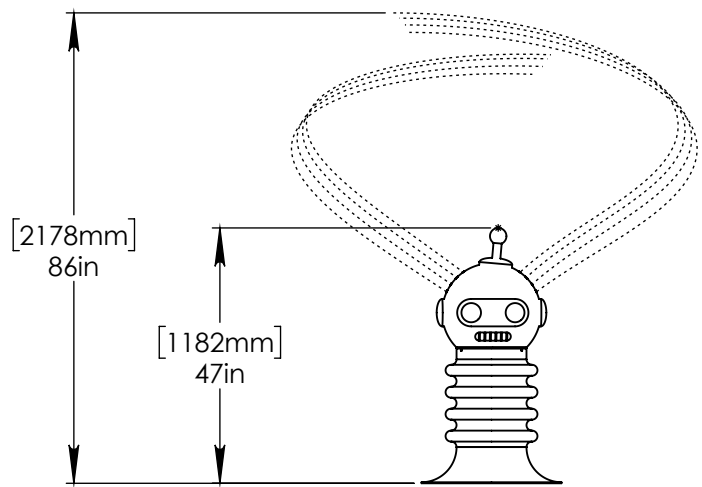
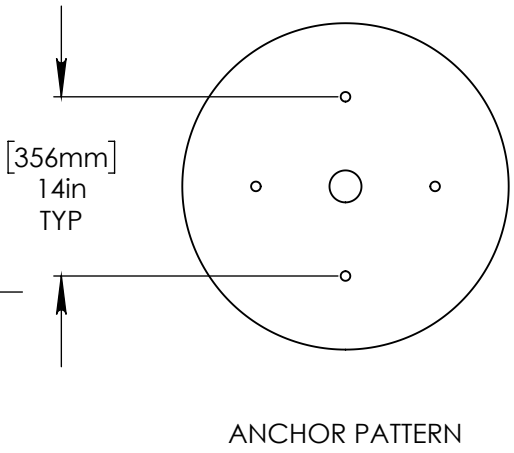
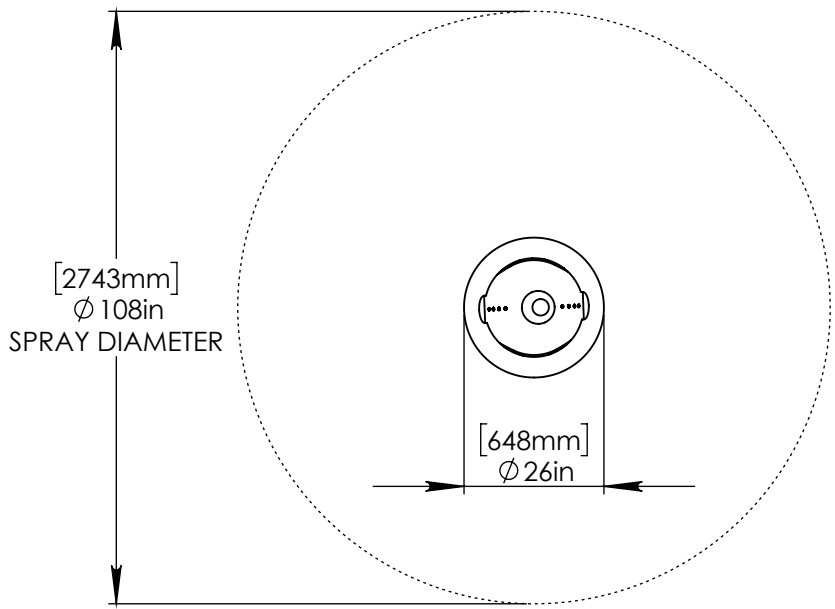
D

E

E

F

F

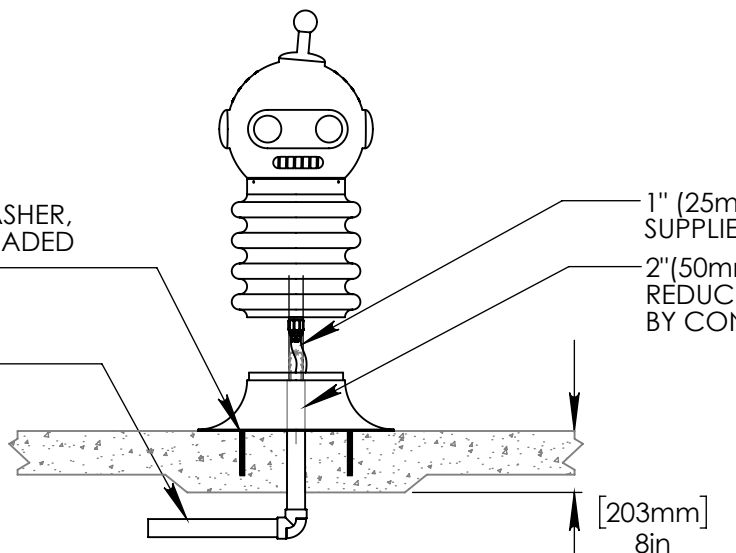


1/2" (13mm) STAINLESS STEEL (316) THREADED ROD, WASHER, LOCK WASHER, & NUT. SUGGESTED 7" (180mm) THREADED ROD WITH 6" (150mm) EMBEDMENT.

2" (50mm) PVC SCH 40 PIPE EXTENDED 4" (100mm) ABOVE POOL SLAB.

1" (25mm) HOSE SUPPLIED BY EMPEX.

2" (50mm) TO 1" (25mm) REDUCER TO BE SUPPLIED BY CONTRACTOR.



Notes: Overall dimensions of toys are approximate.

© EMPEX WATERTOYS



**WATER SUPPLY**  
20 gpm @ 25 psi  
1.3L/S @ 17.5m

# AQUAROBO

**AG930**

1/2/2019

SCALE:  
1:35

Sheet  
1 of 1