

1

2

3

4

NOTES:

- (1) PURGE ALL WATER SUPPLY LINES TO REMOVE SOLIDS PRIOR TO TOY INSTALLATION.
- (2) PROVIDE ELECTRICAL BOND WITH POOL REBAR.
- (3) INSTALL ALL WATER TOYS PLUMB AND LEVEL.
- (4) PROVIDE STRAINER UPSTREAM OF TOY WITH MAX 1/32" (0.8mm) PERFORATIONS.

A

A

B

B

C

C

D

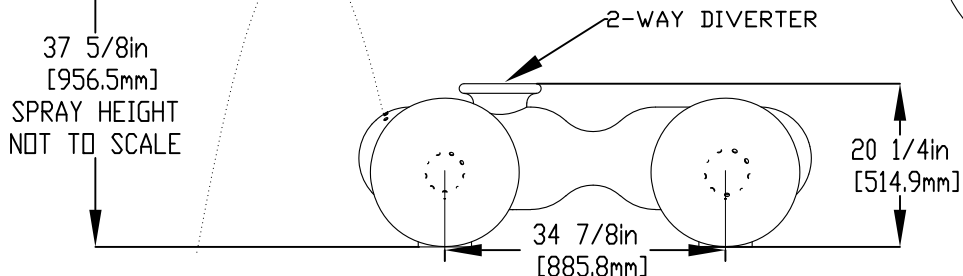
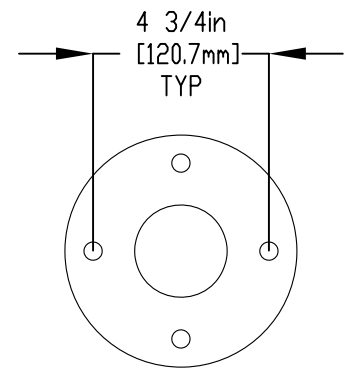
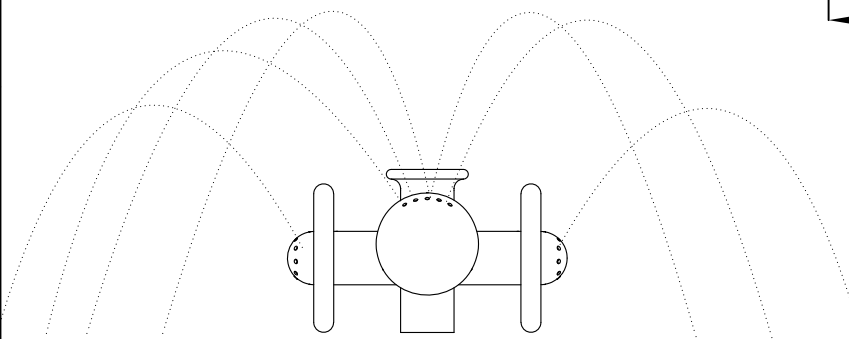
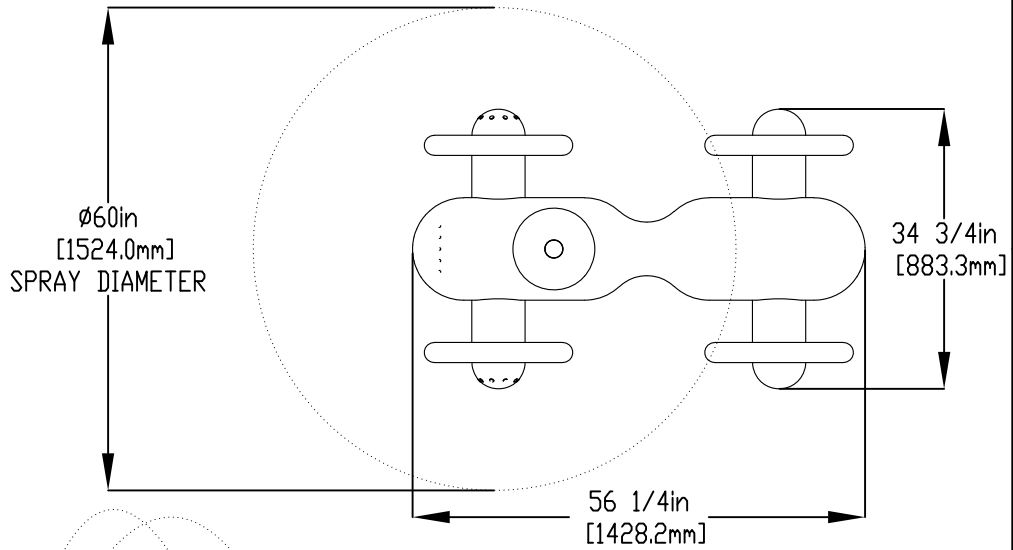
D

E

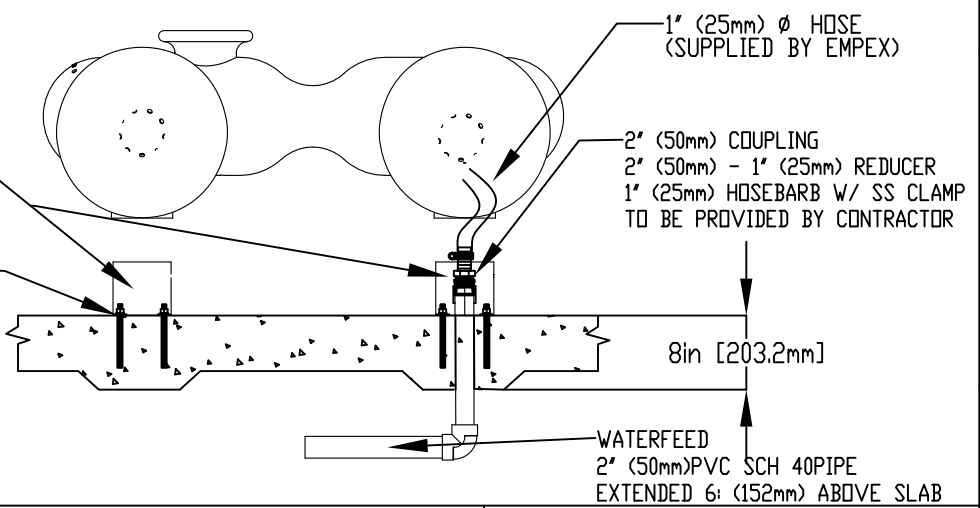
E

F

F



- (1) BOLT INSERT SLEEVE TO SLAB
 - (2) MAKE PLUMBING CONNECTION
 - (3) LOWER TOY AND BOLT TO INSERT
- 1/2" (13mm) X 8" (203mm) 316SS THREADED ROD, C/W FENDER WASHER LOCKWASHER & NUT (X4), MINIMUM 6" (152mm) EMBEDMENT, EPOXY SET ANCHOR ADHESIVE TO BE PROVIDED BY CONTRACTOR



Notes: Overall dimensions of toys are approximate.

© EMPEX WATERTOYS



WATER SUPPLY
 30 gpm @ 25 psi
 1.89L/S @17.5m

AQUAVROOM #1

AM101

15/05/2020

SCALE:

Sheet 1 of 1

1

2

3

4