

NOTES:

(1) PURGE ALL WATER SUPPLY LINES TO REMOVE SOLIDS PRIOR TO TOY INSTALLATION.

(2) PROVIDE ELECTRICAL BOND WITH POOL REBAR.

(3) INSTALL ALL WATER TOYS PLUMB AND LEVEL.

(4) PROVIDE STRAINER UPSTREAM OF TOY WITH MAX 1/32" (0.8mm) PERFORATIONS.

[3048mm] ϕ 120in
SPRAY DIAMETER NOT TO SCALE

SCALE 1:40

[3658mm] 144in
SPRAY DISTANCE NOT TO SCALE

A

A

B

B

C

C

D

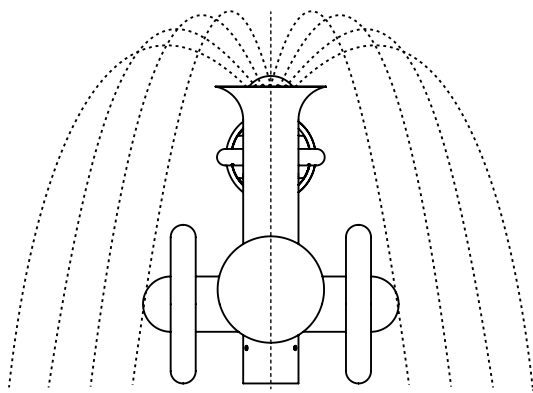
D

E

E

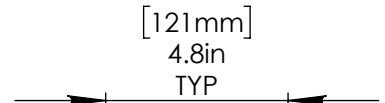
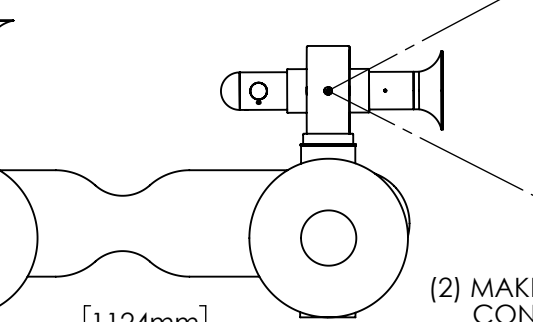
F

F



[1720mm] 68in

[778mm] 31in



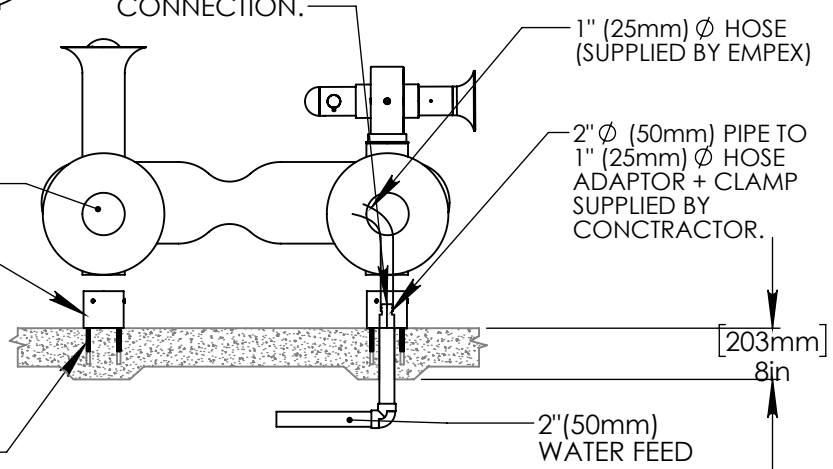
FLANGE DETAIL

(2) MAKE PLUMBING CONNECTION.

(3) LOWER TOY AND BOLT TO INSERT.

(1) BOLT INSERT.

1/2" (13mm) STAINLESS STEEL (316) THREADED ROD, WASHER, LOCK WASHER, & NUT. SUGGESTED 7" (180mm) THREADED ROD WITH 5" (150mm) EMBEDMENT. (ANCHORS NOT SUPPLIED BY EMPEX)



Notes: Overall dimensions of toys are approximate.

© EMPEX WATERTOYS



WATER SUPPLY

30 gpm @ 25 psi
1.89L/S @ 17.5m

AQUAPUMPER

AM108

6/18/2018

SCALE: 1:23

Sheet 1 of 1