

NOTES:

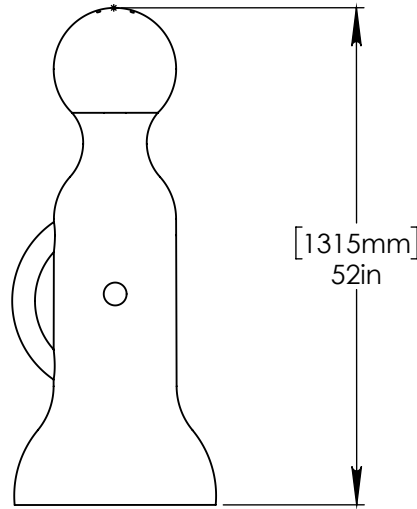
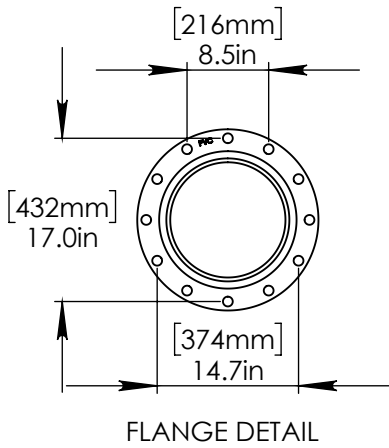
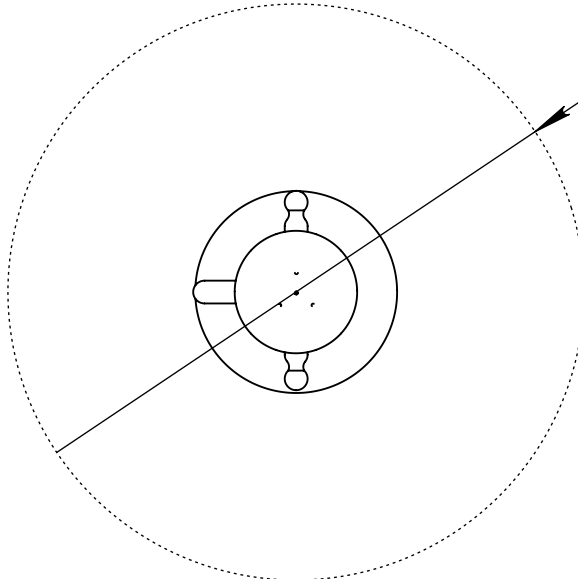
(1) PURGE ALL WATER SUPPLY LINES TO REMOVE SOLIDS PRIOR TO TOY INSTALLATION.

(2) PROVIDE ELECTRICAL BOND WITH POOL REBAR.

(3) INSTALL ALL WATER TOYS PLUMB AND LEVEL.

(4) PROVIDE STRAINER UPSTREAM OF TOY WITH MAX 1#32" (0.8mm) PERFORATIONS.

[1524mm]
Ø 60in
SPRAY AREA

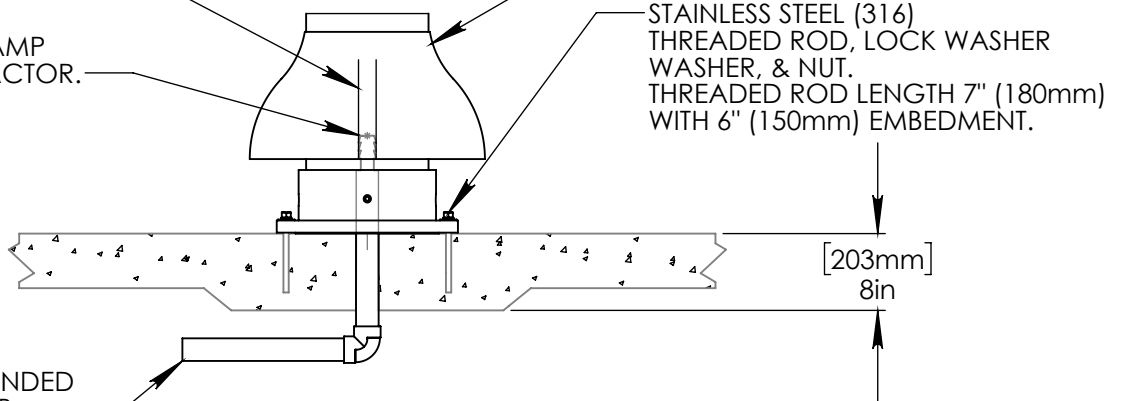


1"(25mm) FLEX HOSE PROVIDED BY EMPEX.

2"(50mm)-1"(25mm) FITTING AND HOSE CLAMP PROVIDED BY CONTRACTOR.

LOWER FLANGE COVER AFTER TOY IS INSTALLED.

STAINLESS STEEL (316) THREADED ROD, LOCK WASHER, WASHER, & NUT. THREADED ROD LENGTH 7" (180mm) WITH 6" (150mm) EMBEDMENT.



2"(50mm) SCH 40 PVC WATERFEED TO BE EXTENDED 8"(200mm) ABOVE SLAB.

Notes: Overall dimensions of toys are approximate.

© EMPEX WATERTOYS



WATER SUPPLY

30 gpm @ 5 psi
1.89L/S @3.5m

AQUAPUMP

AS101

2/17/2017

SCALE:
1:30

Sheet
1 of 1