

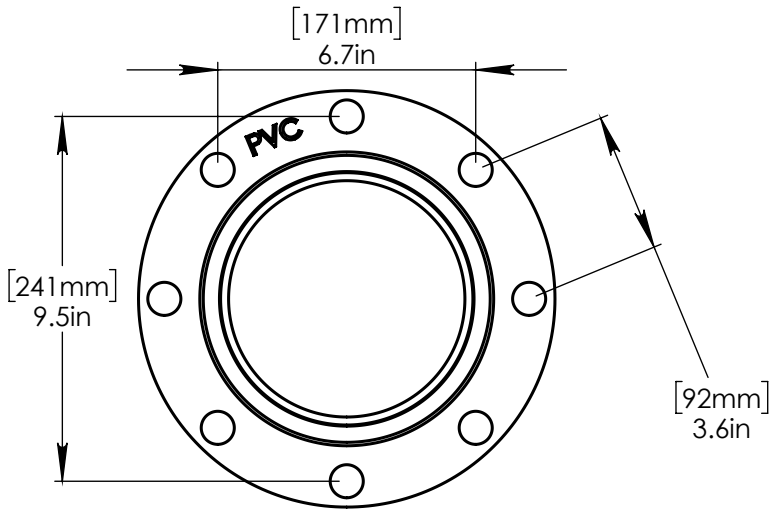
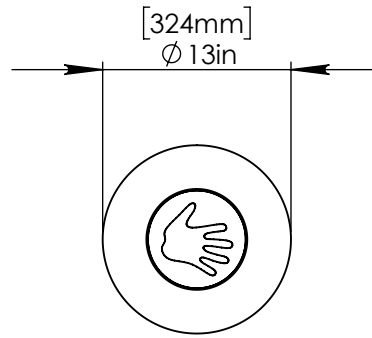
NOTES:

(1) PURGE ALL WATER SUPPLY LINES TO REMOVE SOLIDS PRIOR TO TOY INSTALLATION.

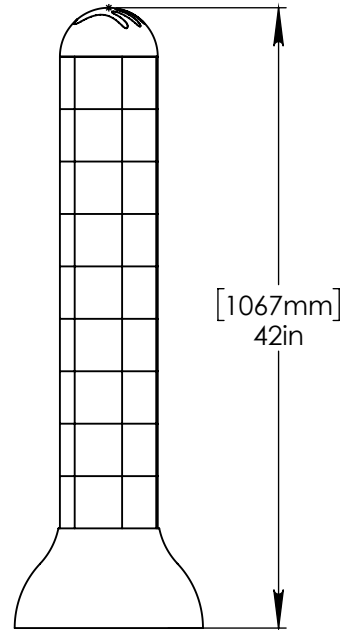
(2) PROVIDE ELECTRICAL BOND WITH POOL REBAR.

(3) INSTALL ALL WATER TOYS PLUMB AND LEVEL.

(4) PROVIDE STRAINER UPSTREAM OF TOY WITH MAX 1/32" (0.8mm) PERFORATIONS.

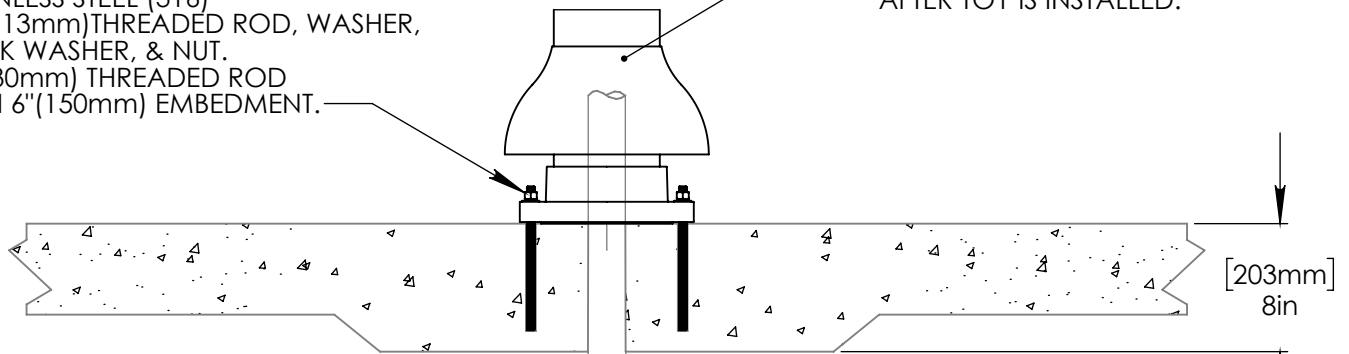


FLANGE DETAIL



STAINLESS STEEL (316)
1/2" (13mm) THREADED ROD, WASHER,
LOCK WASHER, & NUT.
9" (230mm) THREADED ROD
WITH 6" (150mm) EMBEDMENT.

LOWER FLANGE COVER
AFTER TOY IS INSTALLED.



2" (50mm) CONDUIT TO
CONTROL PANEL. SHIPS WITH
3 WIRE, 24V CONTROL WIRING
8" (203mm) ABOVE POOL
SLAB.

Notes: Overall dimensions of toys are approximate.

© EMPEX WATERTOYS



WATER SUPPLY
N/A

AQUASTART RACER

AS104

1/3/2019

SCALE:
1:13

Sheet
1 of 1