

NOTES:

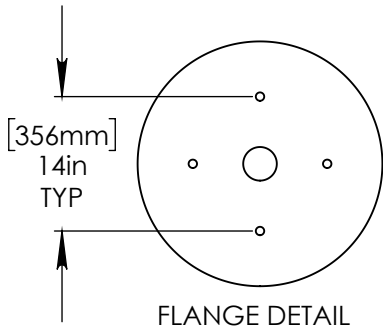
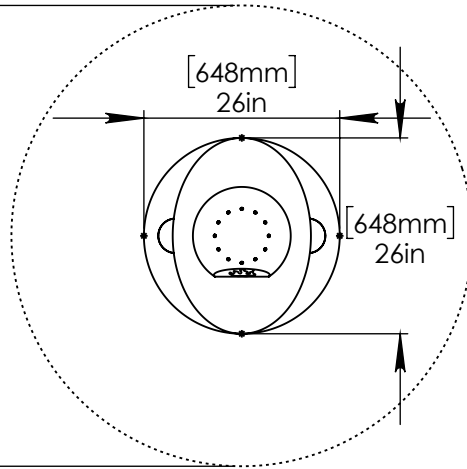
(1) PURGE ALL WATER SUPPLY LINES TO REMOVE SOLIDS PRIOR TO TOY INSTALLATION.

(2) PROVIDE ELECTRICAL BOND WITH POOL REBAR.

(3) INSTALL ALL WATER TOYS PLUMB AND LEVEL.

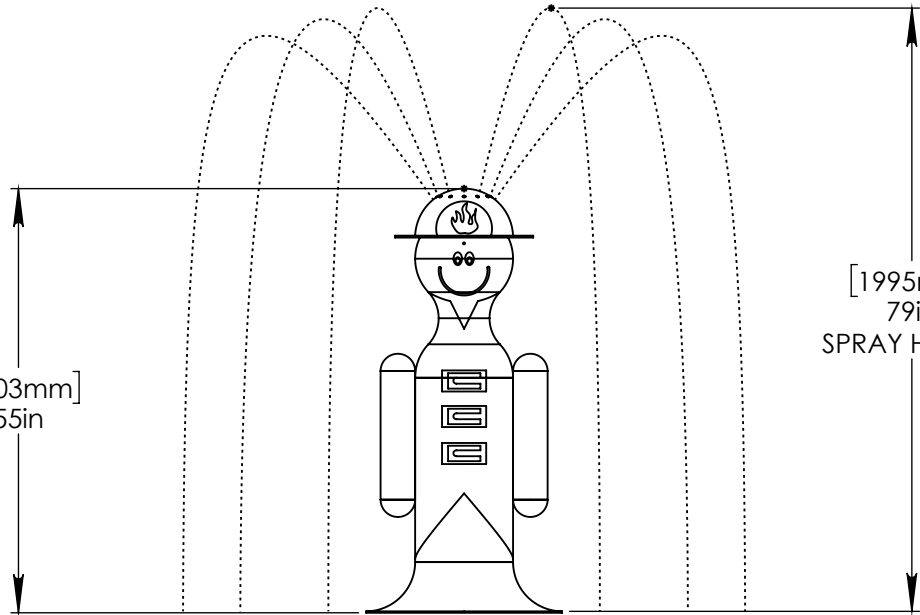
(4) PROVIDE STRAINER UPSTREAM OF TOY WITH MAX 1#32" (0.8mm) PERFORATIONS.

[3048] Ø 120  
SPRAY DIAMETER NTS



[1403mm] 55in

[1995mm] 79in  
SPRAY HEIGHT



LOWER FLANGE COVER AFTER TOY IS INSTALLED.

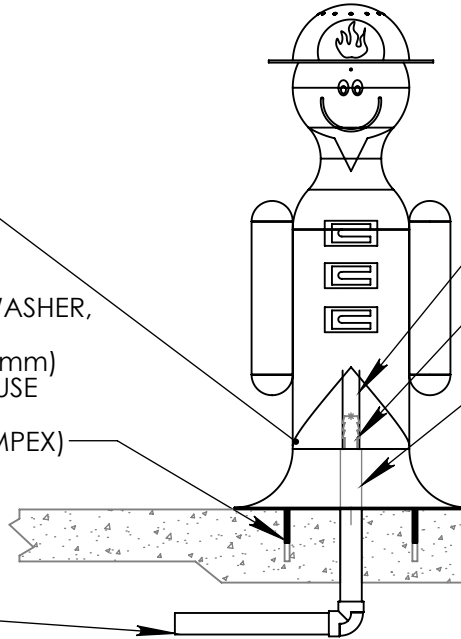
STAINLESS STEEL (316)  
5/8" (16mm) THREADED ROD, WASHER, LOCK WASHER, & NUT.  
THREADED ROD LENGTH 7" (180mm) WITH 5" (130mm) EMBEDMENT. USE MINIMUM 6 ANCHORS. (ANCHORS NOT SUPPLIED BY EMPEX)

1" (25mm) FLEX HOSE PROVIDED BY EMPEX.

2" (50mm)-1"(25mm) FITTING AND HOSE BARB TO BE SUPPLIED BY CONTRACTOR.

2" (50mm) SCH 40 PVC WATERFEED TO BE EXTENDED 8" (203mm) ABOVE SLAB.

2" (50mm) PVC SCH 40 WATER FEED.



[203mm] 8in

Notes: Overall dimensions of toys are approximate.

© EMPEX WATERTOYS



WATER SUPPLY

30 gpm @ 25 psi  
1.89L/S @ 17.5m

AQUATOT FIREMAN

AT104

6/18/2018

SCALE:  
1:25

Sheet  
1 of 1