

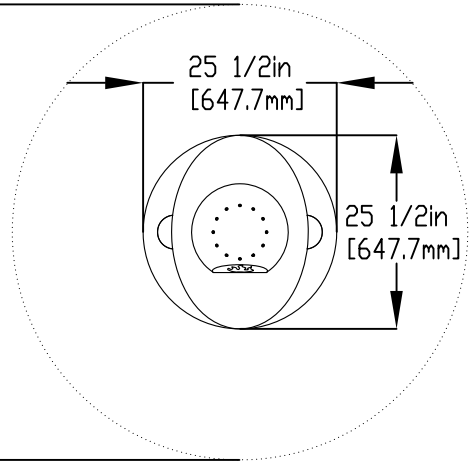
A

A

NOTES:

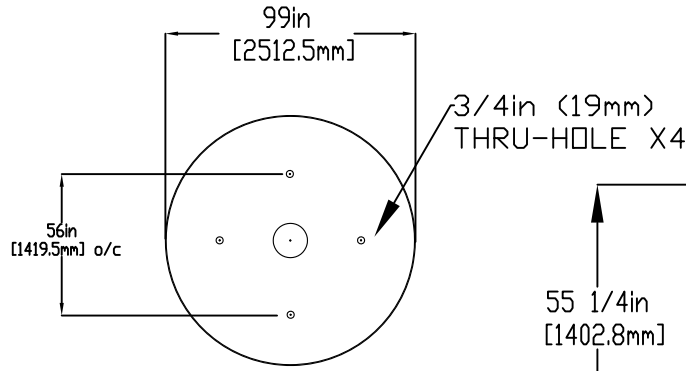
- (1) PURGE ALL WATER SUPPLY LINES TO REMOVE SOLIDS PRIOR TO TOY INSTALLATION.
- (2) PROVIDE ELECTRICAL BOND WITH POOL REBAR.
- (3) INSTALL ALL WATER TOYS PLUMB AND LEVEL.
- (4) PROVIDE STRAINER UPSTREAM OF TOY WITH MAX 1/32" (0.8mm) PERFORATIONS.

∅60in [1524.0mm]
SPRAY DIAMETER NTS



B

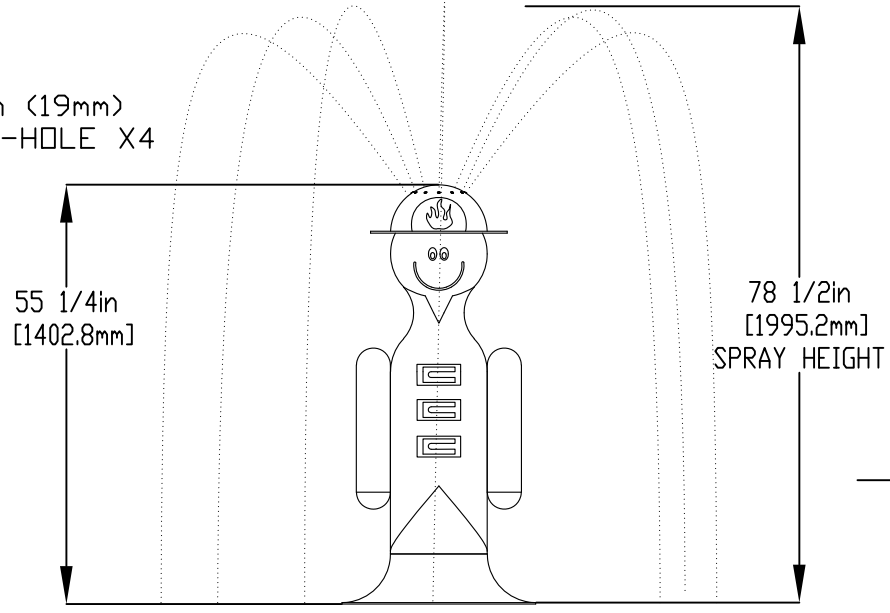
B



MOUNTING BASE DETAIL

C

C



D

D

INSTALLATION DETAILS:

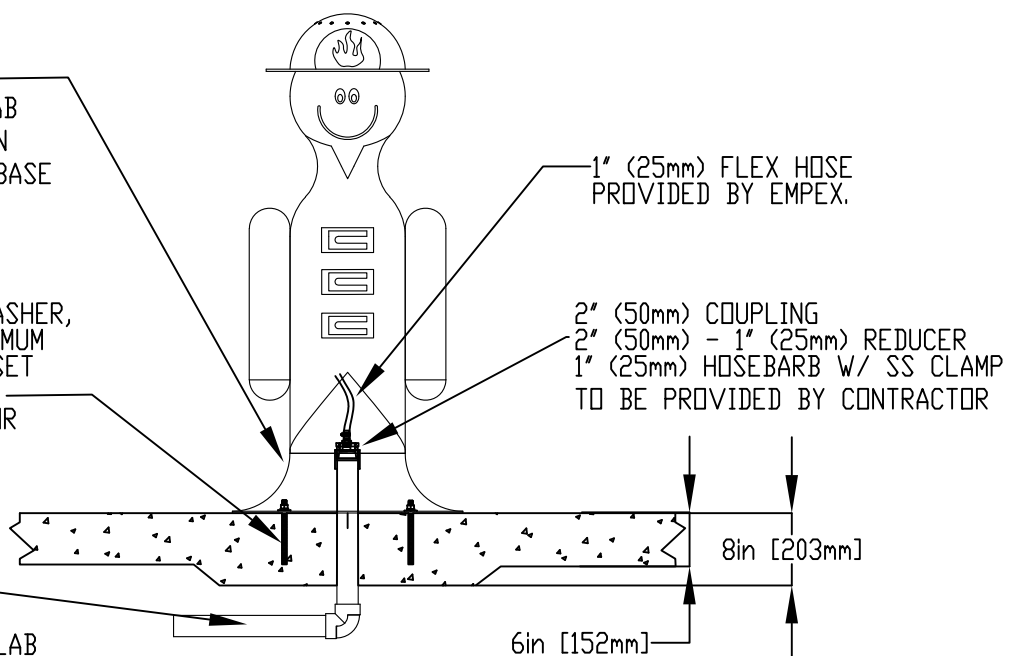
1. BOLT FLARED BASE TO SLAB
2. MAKE PLUMBING CONNECTION
3. LOWER TOY AND BOLT TO BASE

1/2" (13mm) X 8" (203mm) 316SS THREADED ROD, C/W FENDER WASHER, LOCK WASHER, & NUT. (X4) MINIMUM 6" (152mm) EMBEDMENT, EPOXY SET ANCHOR ADHISIVE TO BE PROVIDED BY CONTRACTOR

1" (25mm) FLEX HOSE PROVIDED BY EMPEX.

2" (50mm) COUPLING
2" (50mm) - 1" (25mm) REDUCER
1" (25mm) HOSEBARB W/ SS CLAMP TO BE PROVIDED BY CONTRACTOR

WATERFEED
2" (50mm) PVC SCH 40 PIPE EXTENDED 6" (152mm) ABOVE SLAB



F

F



Notes: Overall dimensions of toys are approximate.

© EMPEX WATERTOYS

WATER SUPPLY
30 gpm @ 25 psi
1.89L/S @17.5m

AQUATOT FIREMAN

AT104

18/08/2022

SCALE:

Sheet 1 of 1