

1

2

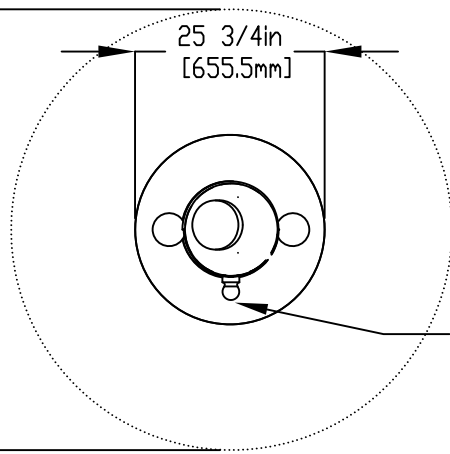
3

4

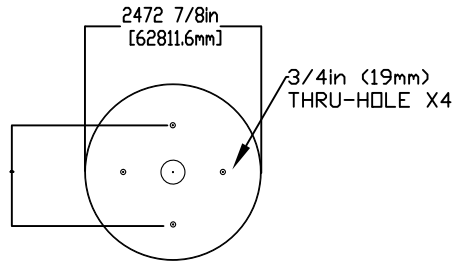
NOTES:

- (1) PURGE ALL WATER SUPPLY LINES TO REMOVE SOLIDS PRIOR TO TOY INSTALLATION.
- (2) PROVIDE ELECTRICAL BOND WITH POOL REBAR.
- (3) INSTALL ALL WATER TOYS PLUMB AND LEVEL.
- (4) PROVIDE STRAINER UPSTREAM OF TOY WITH MAX 1/32" (0.8mm) PERFORATIONS.

Ø120in  
[30484mm]  
SPRAY DIAMETER  
NTS

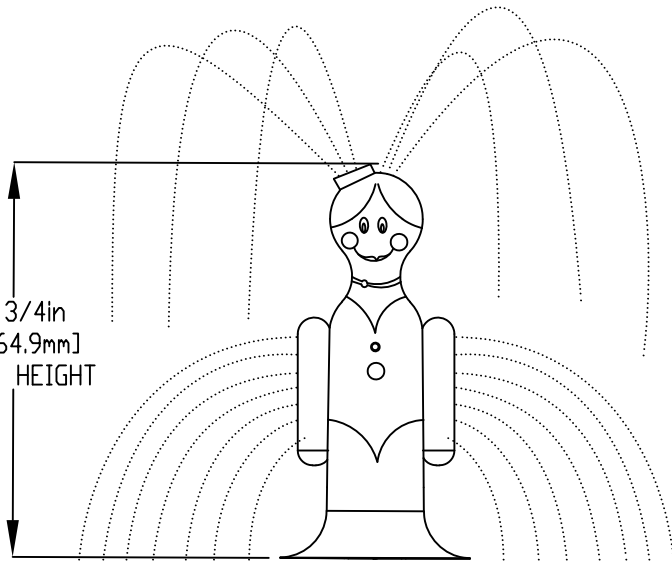


PUSH/PULL BUTTON  
ACTIVATES TOP/SIDE  
SPRAYS



MOUNTING BASE DETAIL

53 3/4in  
[1364.9mm]  
SPRAY HEIGHT



Installation Detail:

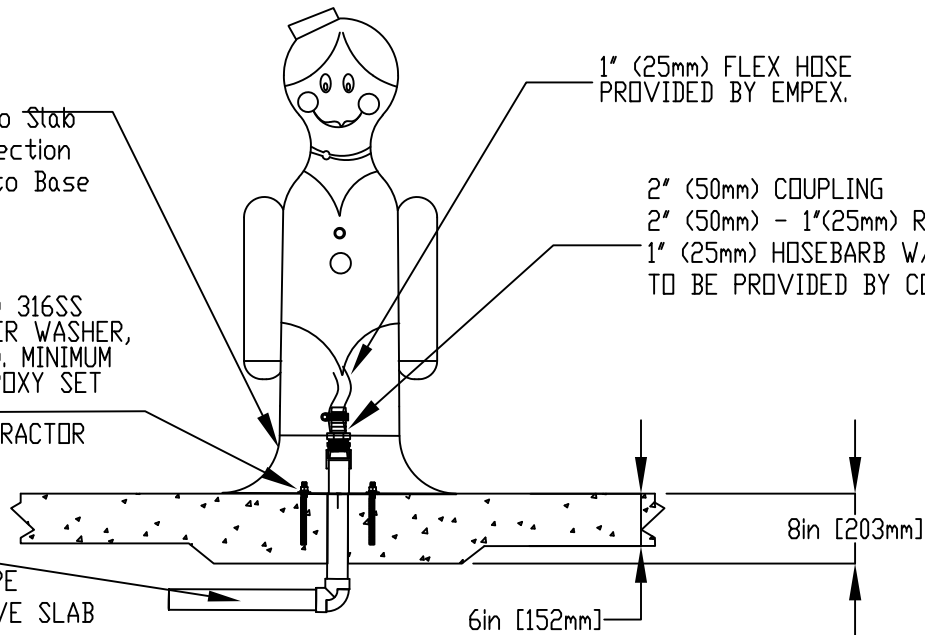
1. Bolt Flared Base to Slab
2. Make Plumbing Connection
3. Lower Toy & Bolt to Base

1/2" (13mm) X 8" (203mm) 316SS  
THREADED ROD C/W FENDER WASHER,  
LOCK WASHER, & NUT (X4). MINIMUM  
6" (152mm) EMBEDMENT, EPOXY SET  
ANCHOR ADHESIVE  
TO BE PROVIDED BY CONTRACTOR

1" (25mm) FLEX HOSE  
PROVIDED BY EMPEX.

2" (50mm) COUPLING  
2" (50mm) - 1" (25mm) REDUCER  
1" (25mm) HOSEBARB W/ SS CLAMP  
TO BE PROVIDED BY CONTRACTOR

WATERFEED  
2" (50mm) PVC SCH 40 PIPE  
EXTENDED 6" (152mm) ABOVE SLAB



8in [203mm]

6in [152mm]

F



Notes: Overall dimensions of toys are approximate.

© EMPEX WATERTOYS

WATER SUPPLY

30 gpm @ 25 psi  
1.89L/S @17.5m

AQUATOT FLIGHT ATTENDANT

AT127

01/05/2020

SCALE:

Sheet  
1 of 1

1

2

3

4