

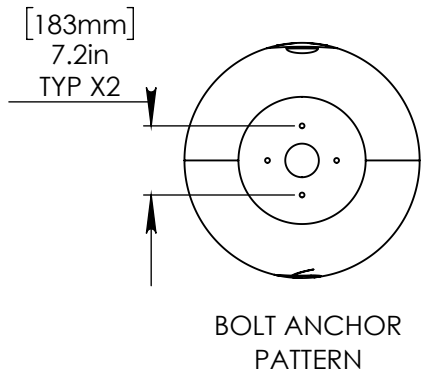
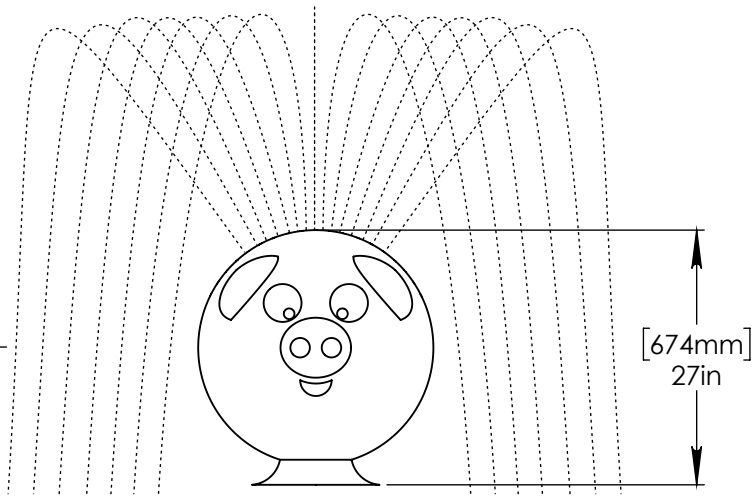
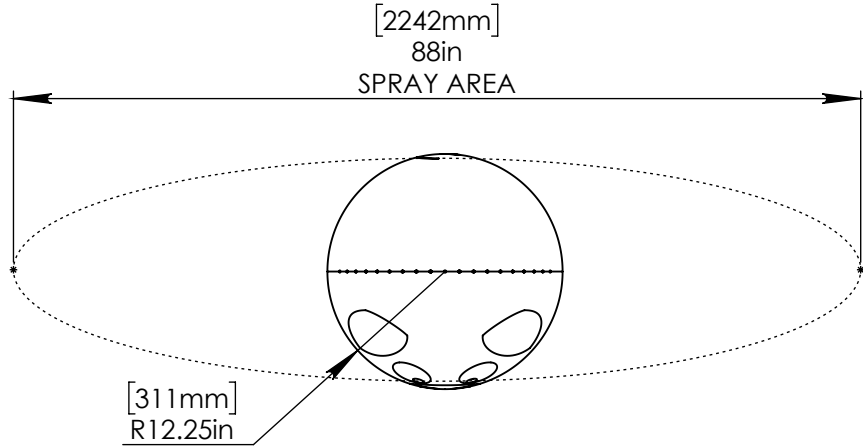
NOTES:

(1) PURGE ALL WATER SUPPLY LINES TO REMOVE SOLIDS PRIOR TO TOY INSTALLATION.

(2) PROVIDE ELECTRICAL BOND WITH POOL REBAR.

(3) INSTALL ALL WATER TOYS PLUMB AND LEVEL.

(4) PROVIDE STRAINER UPSTREAM OF TOY WITH MAX 1/32" (0.8mm) PERFORATIONS.



2" (50mm) TO 1" (25mm) ADAPTER TO BE SUPPLIED BY CONTRACTOR.

STAINLESS STEEL (316) 1/2" (13mm) THREADED ROD, WASHER, LOCK WASHER, & NUT. 5" LONG THREADED ROD WITH 4" (100mm) EMBEDMENT.

1" (25mm) HOSE PROVIDED BY EMPEX.

[203mm] 8in

2" (50mm) SCH 40 PVC WATERFEED TO BE EXTENDED 6" (150mm) ABOVE POOL SLAB.

Notes: Overall dimensions of toys are approximate.

© EMPEX WATERTOYS



WATER SUPPLY
 30 gpm @ 25 psi
 1.89L/S @ 17.5m

AQUAPIGGY

B202

8/11/2016

SCALE:
1:20

Sheet
1 of 1