

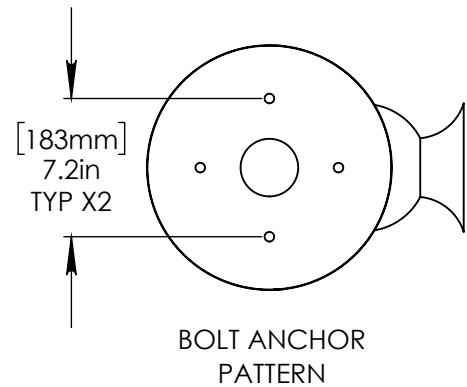
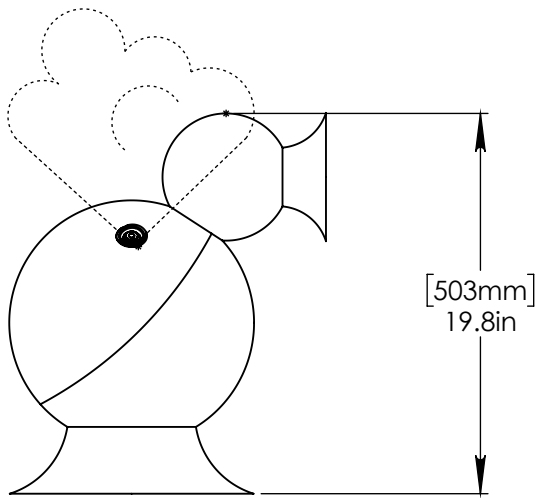
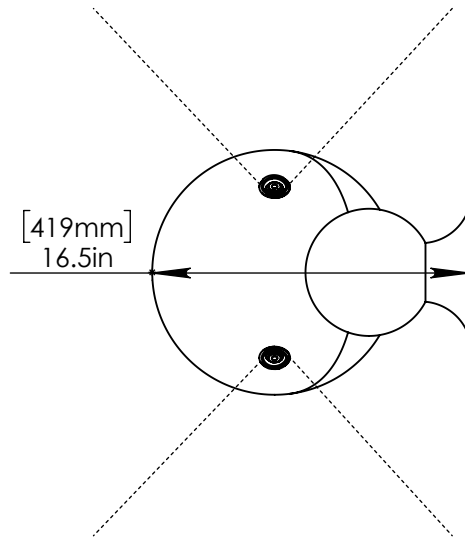
NOTES:

(1) PURGE ALL WATER SUPPLY LINES TO REMOVE SOLIDS PRIOR TO TOY INSTALLATION.

(2) PROVIDE ELECTRICAL BOND WITH POOL REBAR.

(3) INSTALL ALL WATER TOYS PLUMB AND LEVEL.

(4) PROVIDE STRAINER UPSTREAM OF TOY WITH MAX 1/32" (0.8mm) PERFORATIONS.



2"(50mm) TO 1" (25mm) ADAPTER TO BE SUPPLIED BY CONTRACTOR.

STAINLESS STEEL (316) 1/2" (13mm) THREADED ROD, WASHER, LOCK WASHER, & NUT. 5" LONG THREADED ROD WITH 4"(100mm) EMBEDMENT.

1"(25mm) HOSE PROVIDED BY EMPEX.

2"(50mm) SCH 40 PVC WATERFEED TO BE EXTENDED 6" (150mm) ABOVE POOL SLAB.

[203mm] 8in

Notes: Overall dimensions of toys are approximate.

© EMPEX WATERTOYS



WATER SUPPLY
 10 gpm @ 25 psi
 0.63 L/S @ 17.5m

AQUADUKLING

B206

8/15/2016

SCALE:
1:10

Sheet
1 of 1