

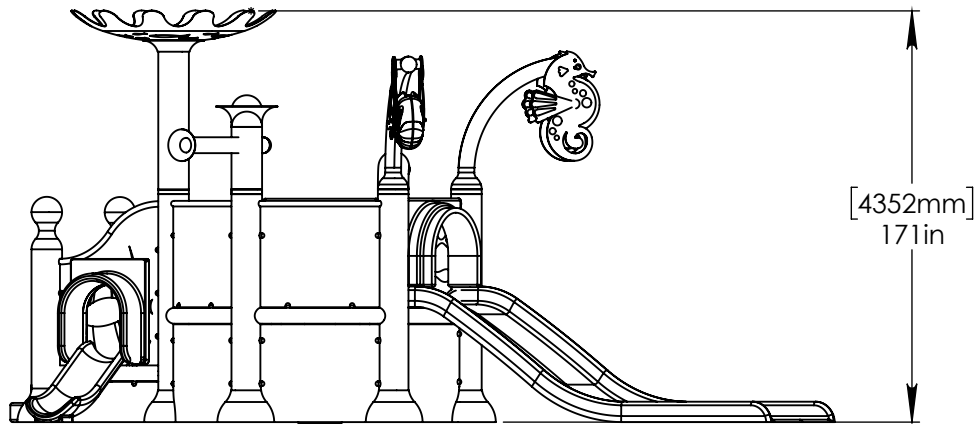
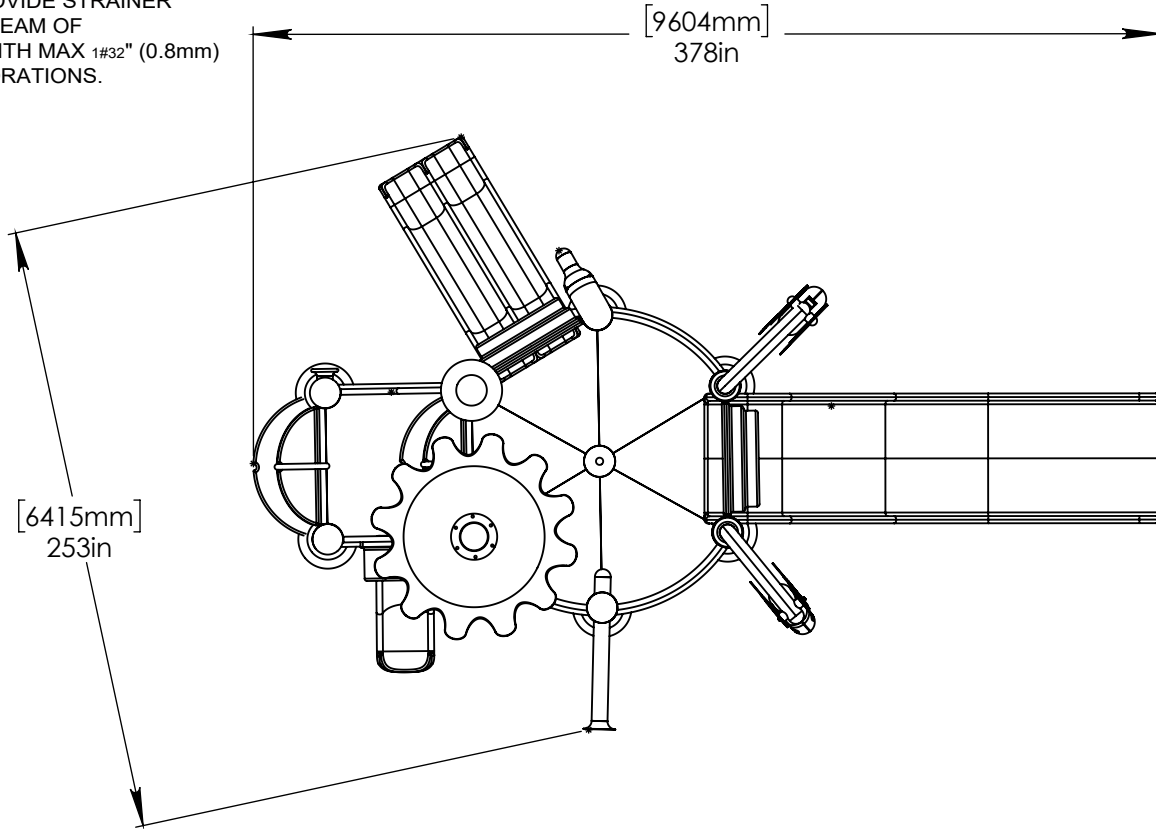
NOTES:

(1) PURGE ALL WATER SUPPLY LINES TO REMOVE SOLIDS PRIOR TO TOY INSTALLATION.

(2) PROVIDE ELECTRICAL BOND WITH POOL REBAR.

(3) INSTALL ALL WATER TOYS PLUMB AND LEVEL.

(4) PROVIDE STRAINER UPSTREAM OF TOY WITH MAX 1/32" (0.8mm) PERFORATIONS.



Notes: Overall dimensions of toys are approximate.

© EMPEX WATERTOYS

WATER SUPPLY  
 350 gpm @ 25 psi  
 22.08 L/S @17.5m

# AQUADEK

C410-1L2S

1/24/2017

SCALE:  
1:80

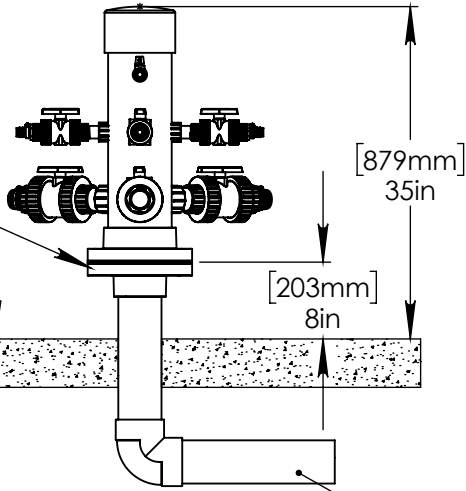
Sheet  
1 of 2

A

HEADER PROVIDED BY EMPEX

4"-6" (100mm-150mm) FLANGE NOT PROVIDED BY EMPEX.

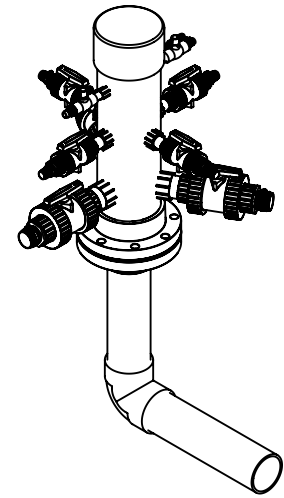
POOL SLAB



(3) 2" (50mm) VALVES:  
(2) AQUAFOLO  
AQUAFALL

(4) 1" (25mm) VALVES:  
AQUAFIN  
AQUASQUID (1)  
AQUASQUID (2)  
AQUASHROOM

(2) 1/2" (13mm) VALVE:  
AQUADUNK (1)  
AQUADUNK (2)



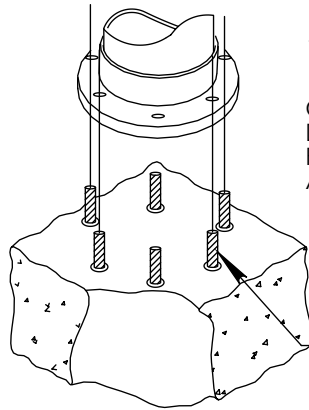
4" (100mm) PVC SCH 40 WATERFEED.

B

C

D

E

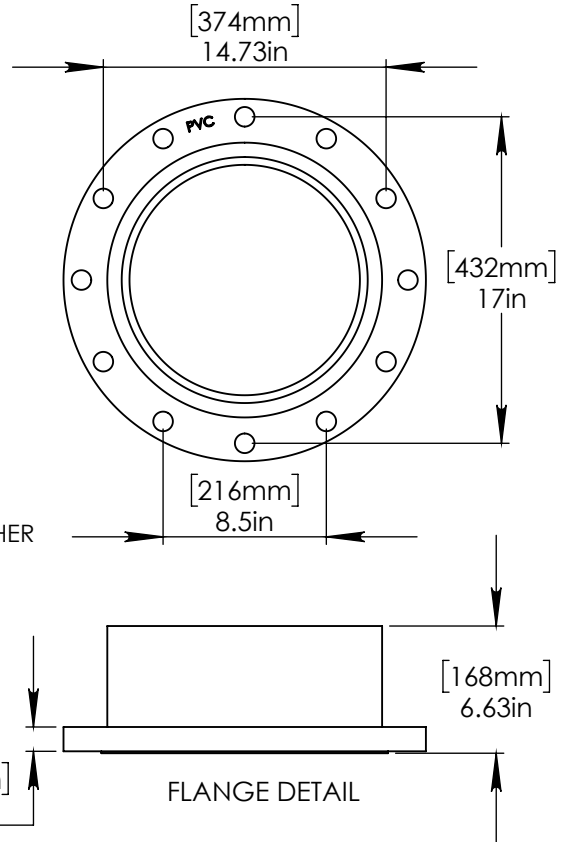


12" (300mm) COLUMN

CONCRETE TO BE DRILLED ON SITE FOR PLACEMENT OF ANCHORS.

5/8 (16mm) CONCRETE ANCHORS WITH NUT, LOCK WASHER AND WASHER. MIN 6 ANCHORS.

12" (300mm) MIN SLAB THICKNESS



FLANGE DETAIL

F



Notes: Overall dimensions of toys are approximate.

© EMPEX WATERTOYS

WATER SUPPLY

350 gpm @ 25 psi  
22.08 L/S @ 17.5m

**AQUADEK**

**C410-1L2S**

1/24/2017

SCALE:  
1:10

Sheet  
2 of 2

A

B

C

D

E

F