

1

2

3

4

A

A

B

B

C

C

D

D

E

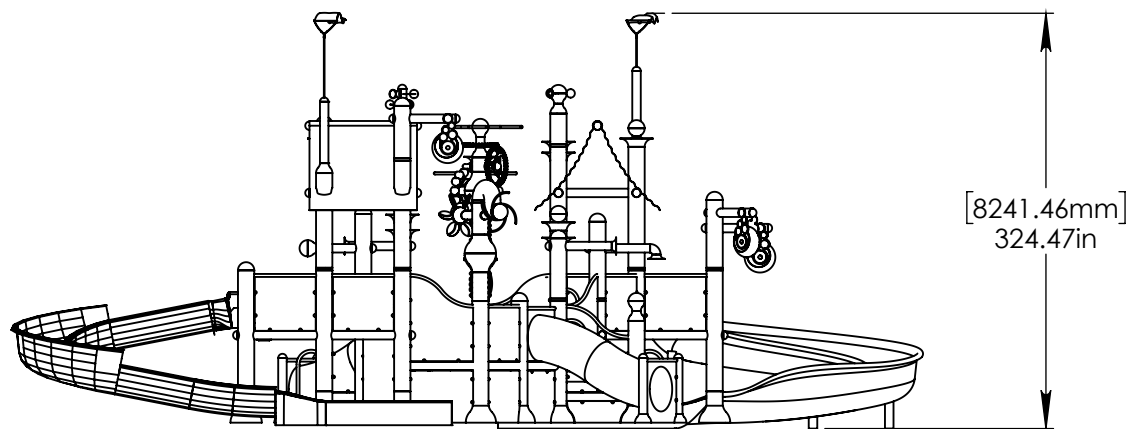
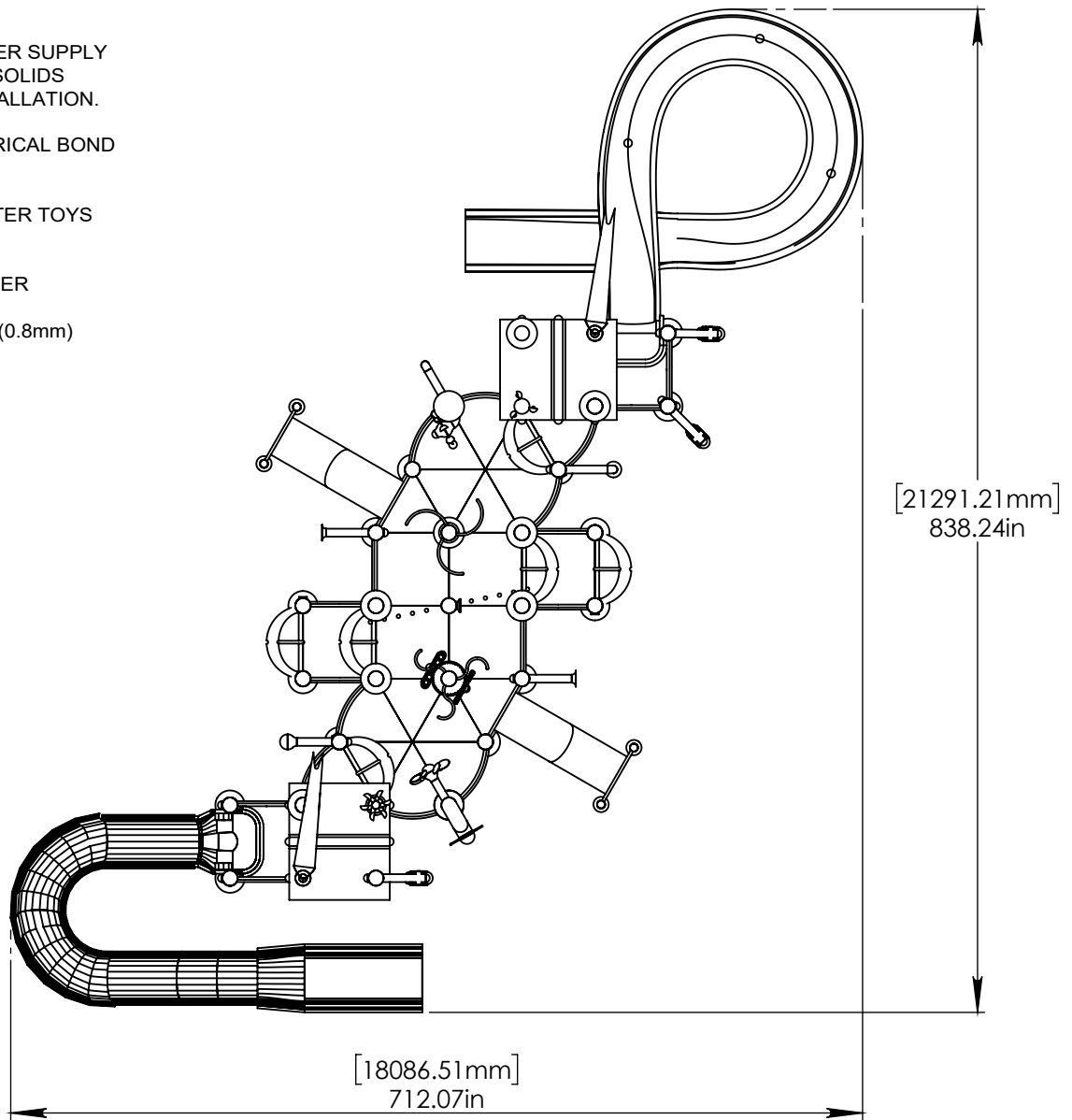
E

F

F

NOTES:

- (1) PURGE ALL WATER SUPPLY LINES TO REMOVE SOLIDS PRIOR TO TOY INSTALLATION.
- (2) PROVIDE ELECTRICAL BOND WITH POOL REBAR.
- (3) INSTALL ALL WATER TOYS PLUMB AND LEVEL.
- (4) PROVIDE STRAINER UPSTREAM OF TOY WITH MAX 1#32" (0.8mm) PERFORATIONS.



Notes: Overall dimensions of toys are approximate.

© EMPEX WATERTOYS



WATER SUPPLY
 30 gpm @ 25 psi
 1.89L/S @ 17.5m

AQUADEK

C610-CIRCUS

2/18/2020

SCALE:
1:150

Sheet
1 of 3

1

2

3

4

A

A

B

B

C

C

D

D

E

E

F

F

- (8) 1" (25mm) VALVES:
- (2) AQUAPALM
- (1) AQUASHOWER
- (1) PANDA
- (1) TIGER
- (1) BIRD FINEAL
- (1) AQUAGIRAFFE
- (1) VERTICAL JETS

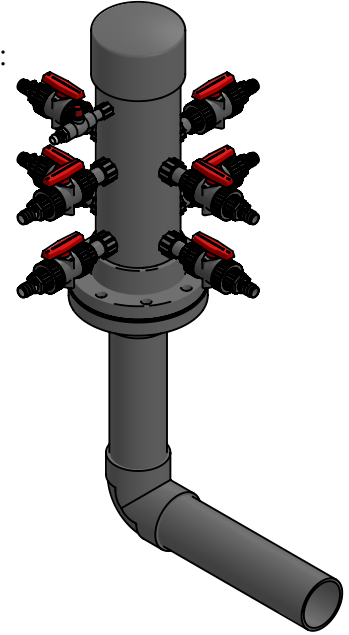
- (1) 0.5" (13mm) VALVES:
- AQUADUNK

4"-6"
(100mm-150mm)
FLANGE NOT
PROVIDED BY
EMPEX

POOL SLAB

[829mm]
33in

4"(100mm)PVC SCH 40
WATERFEED



- (8) 1" (25mm) VALVES:
- (2) AQUAPALM
- (1) AQUASHOWER
- (1) PANDA
- (1) TIGER
- (1) BIRD FINEAL
- (1) AQUAGIRAFFE
- (1) VERTICAL JETS

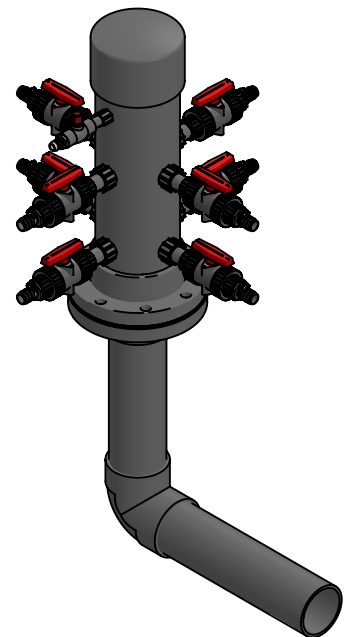
- (1) 0.5" (13mm) VALVES:
- AQUADUNK

4"-6"
(100mm-150mm)
FLANGE NOT
PROVIDED BY
EMPEX

POOL SLAB

[829mm]
33in

4"(100mm)PVC SCH 40
WATERFEED



Notes: Overall dimensions of toys are approximate.

© EMPEX WATERTOYS

WATER SUPPLY

30 gpm @ 25 psi
1.89L/S @ 17.5m

AQUADEK

C610-CIRCUS

2/18/2020

SCALE:
1:150

Sheet
2 of 3

1

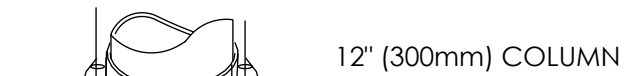
2

3

4

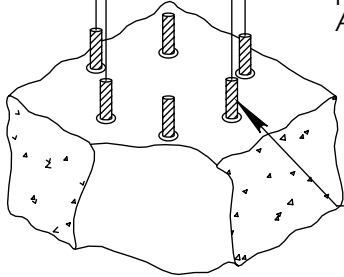
A

A



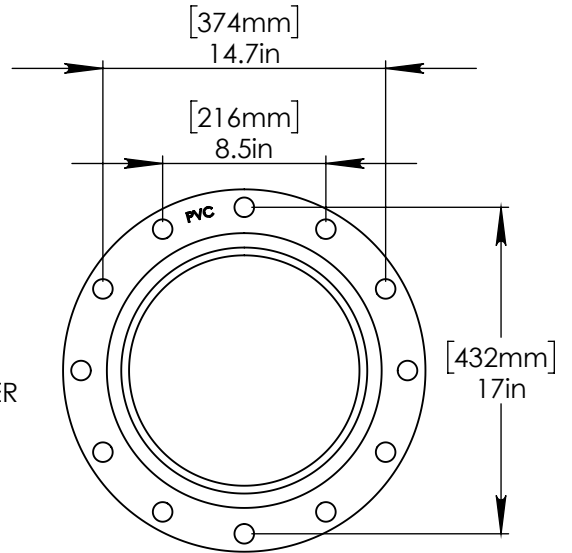
12" (300mm) COLUMN

CONCRETE TO BE DRILLED ON SITE FOR PLACEMENT OF ANCHORS.



12" (300mm) MIN SLAB THICKNESS

5/8 (16mm) CONCRETE ANCHORS WITH NUT, LOCK WASHER AND WASHER. MIN 6 ANCHORS.



12" FLANGE

B

B

C

C

D

D

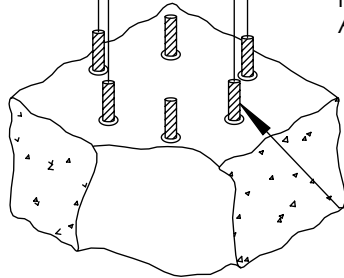
E

E



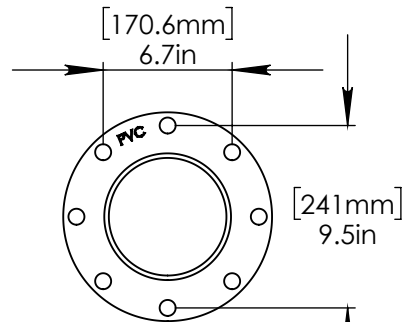
6" (150mm) COLUMN

CONCRETE TO BE DRILLED ON SITE FOR PLACEMENT OF ANCHORS.



6" (150mm) MIN SLAB THICKNESS

5/8 (16mm) CONCRETE ANCHORS WITH NUT, LOCK WASHER AND WASHER. MIN 4 ANCHORS.



6" FLANGE

F

F



Notes: Overall dimensions of toys are approximate.

© EMPEX WATERTOYS

WATER SUPPLY

30 gpm @ 25 psi
1.89L/S @ 17.5m

AQUADEK

C610-CIRCUS

2/18/2020

SCALE:
1:10

Sheet
3 of 3

1

2

3

4