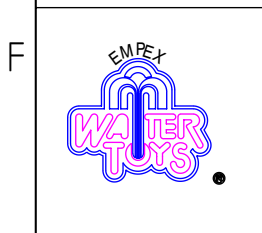
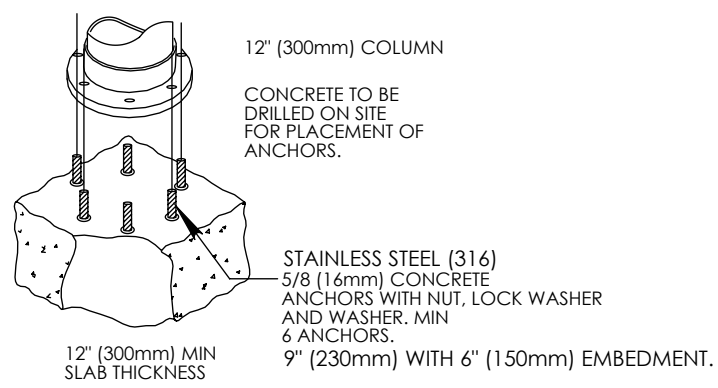
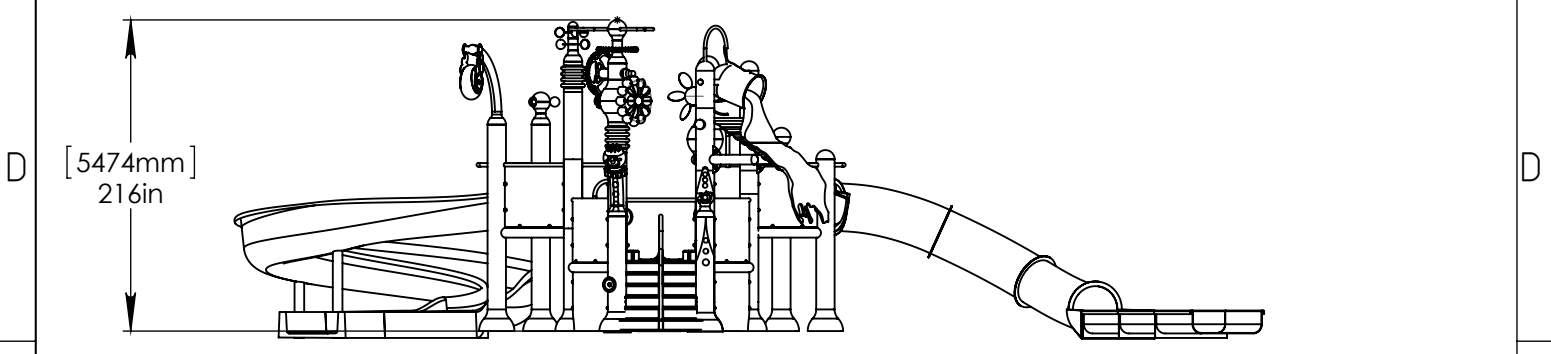


**NOTES:**

- (1) PROVIDE ELECTRICAL BOND WITH POOL REBAR.
- (2) PURGE ALL WATER SUPPLY LINES TO REMOVE SOLIDS PRIOR TO TOY INSTALLATION.
- (3) INSTALL ALL WATER TOYS PLUMB AND LEVEL.
- (4) PROVIDE STRAINER UPSTREAM OF TOY WITH MAX 1#32" (0.8mm) PERFORATIONS.



Notes : (1) Dual Dimensions  
 (2) Outer dimensions of toys are approximate.

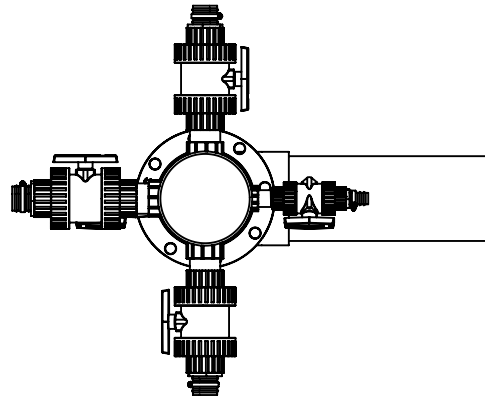
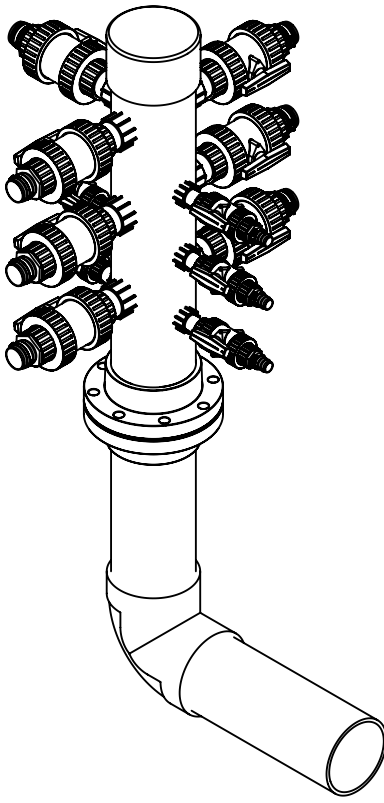
© EMPEX WATER TOYS  
 JAN 6, 2014

Scale  
 N.T.S.

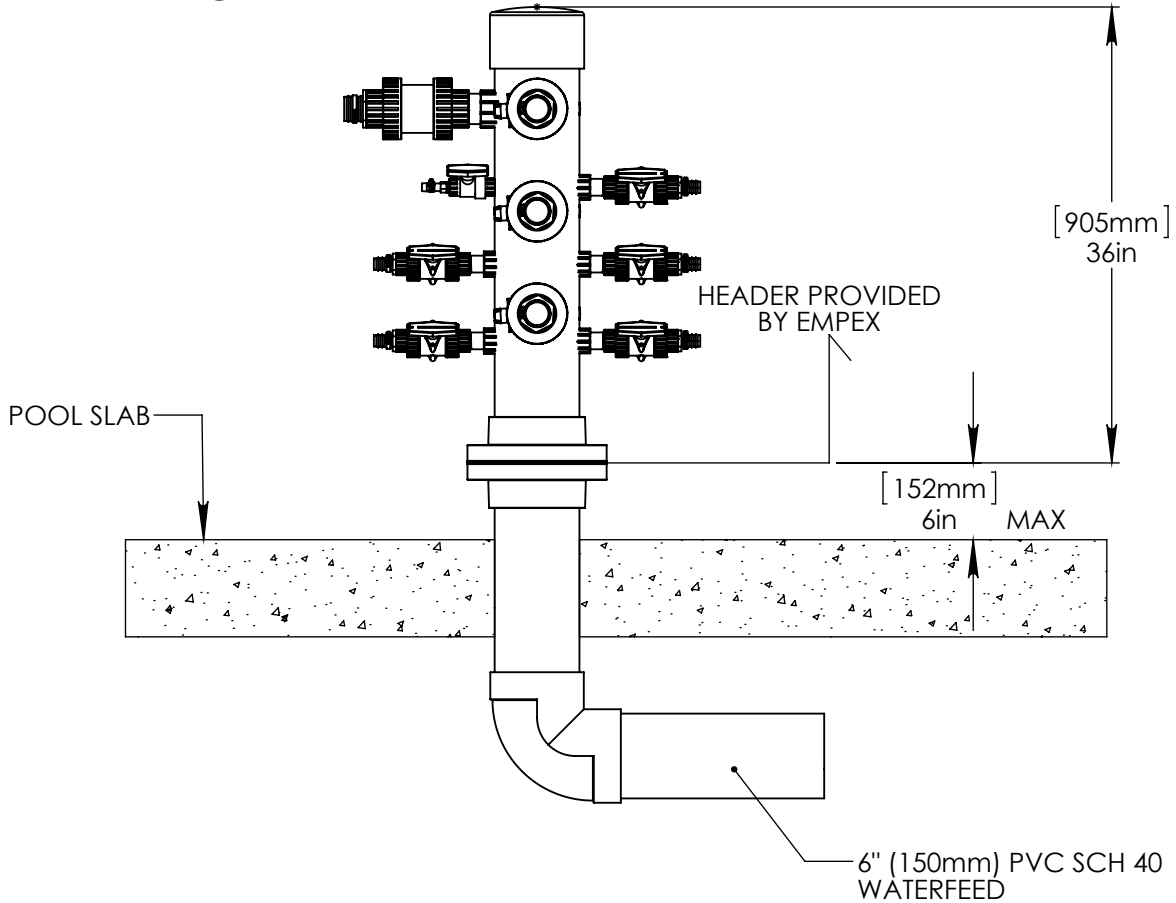
**WATER SUPPLY**  
 710 gpm @ 25 psi  
 45L/S @17.5m

**AQUADEK C610-CR-2S**

C610-CR-2S	Edition	Sheet 1/1
------------	---------	--------------



- (7) 2" (50mm) VALVES:
- (3) FIBERGLASS SLIDE # 1
- (3) FIBERGLASS SLIDE # 2
- (1) AQUADUNKER
- (5) 1" (25mm) VALVES:
- AQUAWIZZ
- WATER CURTAIN
- AQUAMILL
- HANDWHEEL
- WATERCURTAIN
- (1) 1/2" (13mm)
- TIPPIN' LOLLIE.



(1) Dual Dimensions  
 (2) Outer dimensions of toys are approximate.

C EMPEX WATER TOYS  
 JAN 6, 2014

Scale  
 N.T.S.

**WATER SUPPLY**  
 710 gpm @ 25 psi  
 45L/S @17.5m

# AQUADEK C610-CR-2S

C610-CR-2S

Edition

Sheet  
 1/1