

1

2

3

4

NOTES:

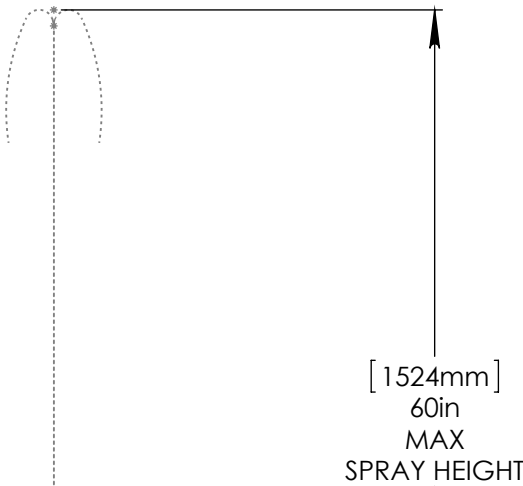
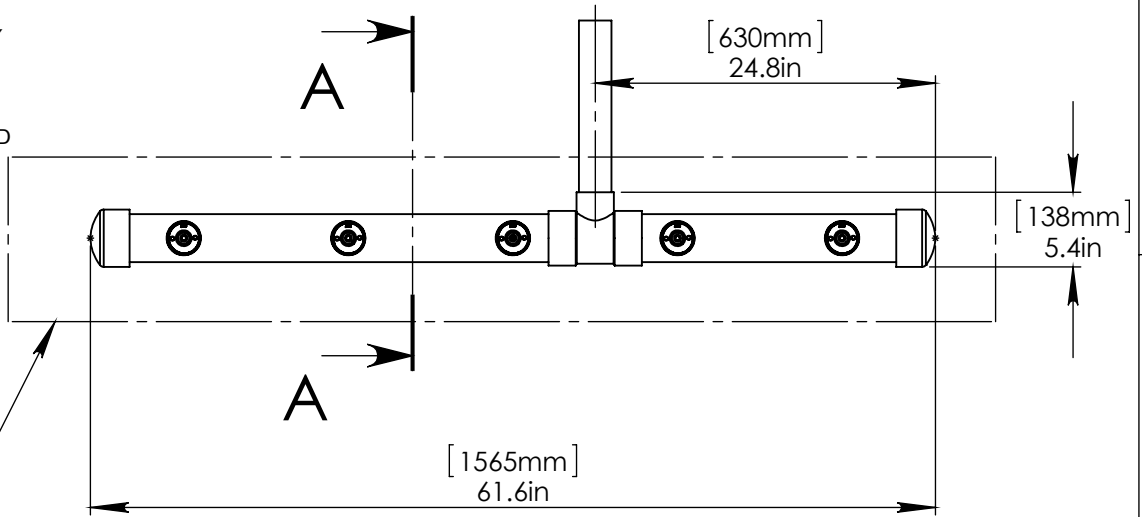
(1) PURGE ALL WATER SUPPLY LINES TO REMOVE SOLIDS PRIOR TO TOY INSTALLATION.

(2) PROVIDE ELECTRICAL BOND WITH POOL REBAR.

(3) INSTALL ALL WATER TOYS PLUMB AND LEVEL.

(4) PROVIDE STRAINER UPSTREAM OF TOY WITH MAX 1#32" (0.8mm) PERFORATIONS.

BOXOUT

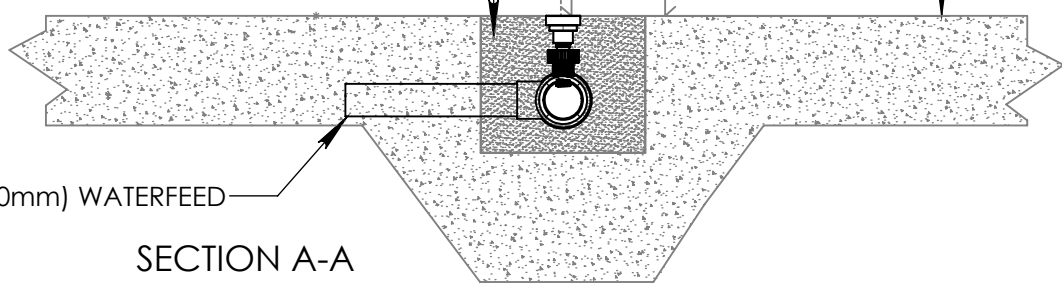


72" X 12" X 10" DEEP
1755mm X 300mm X 250mm DEEP
BOX OUT.

FLUSH TO
FINISHED
FLOOR

2" (50mm) WATERFEED

SECTION A-A



Notes: Overall dimensions of toys are approximate.

© EMPEX WATERTOYS



WATER SUPPLY
35 gpm @ 10 psi
2.2L/S @ 7m

AQUALINE

J330-5

11/5/2014

SCALE:
1:14

Sheet
1 of 1

1

2

3

4