

NOTES:

(1) PURGE ALL WATER SUPPLY LINES TO REMOVE SOLIDS PRIOR TO TOY INSTALLATION.

(2) PROVIDE ELECTRICAL BOND WITH POOL REBAR.

(3) INSTALL ALL WATER TOYS PLUMB AND LEVEL.

(4) PROVIDE STRAINER UPSTREAM OF TOY WITH MAX 1/32" (0.8mm) PERFORATIONS.

A

A

B

B

C

C

D

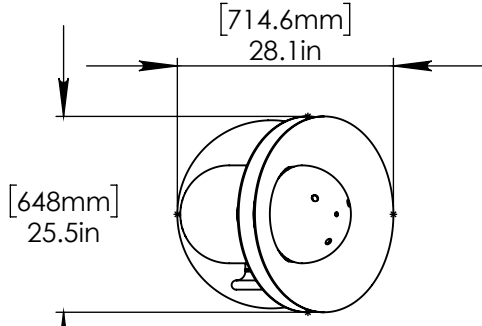
D

E

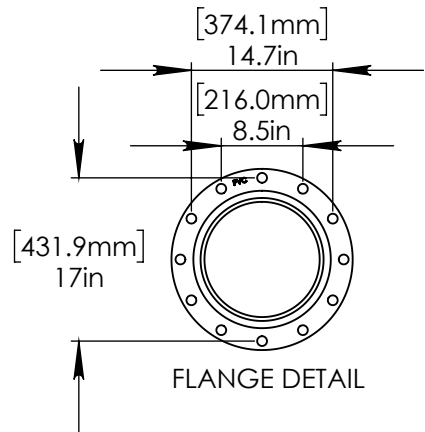
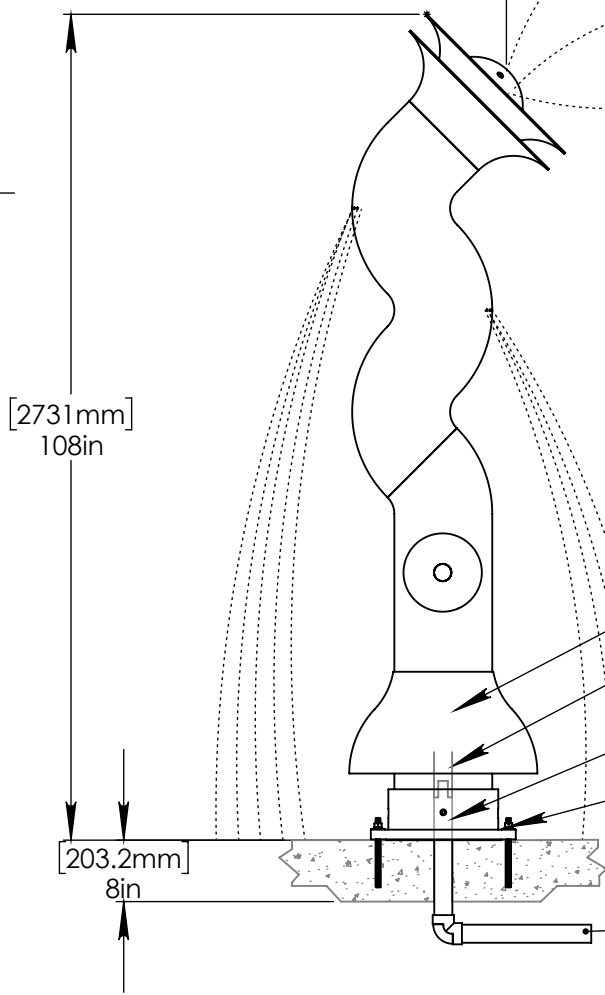
E

F

F



[3048mm] 120in SRPAY DISTANCE



FLANGE DETAIL

LOWER FLANGE COVER OVER BASE AND SECURE

1" (25mm) HOSE SUPPLIED BY EMPEX

2" (50mm) TO 1" (25mm) REDUCER TO BE PROVIDED BY CONTRACTOR.

STAINLESS STEEL (316) 5/8" (16mm) THREADED ROD, WASHER, LOCK WASHER, & NUT. 9" (230mm) THREADED ROD LENGTH WITH 6" (150mm) EMBEDMENT. MINIMUM 6 ANCHORS.

2" (50mm) PVC SCH 40 WATERFEED TO BE EXTENDED 8" (200mm) ABOVE SLAB.



Notes: Overall dimensions of toys are approximate.

© EMPEX WATERTOYS

WATER SUPPLY
30 gpm @ 25 psi
1.89L/S @ 17.5m

AQUADOODLE

K201

5/30/2016

SCALE:
1:50

Sheet
1 of 1