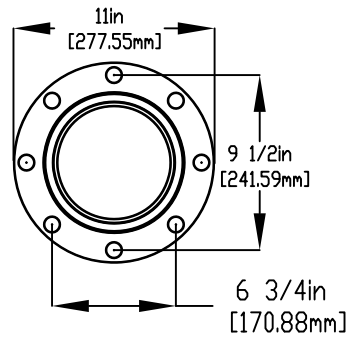
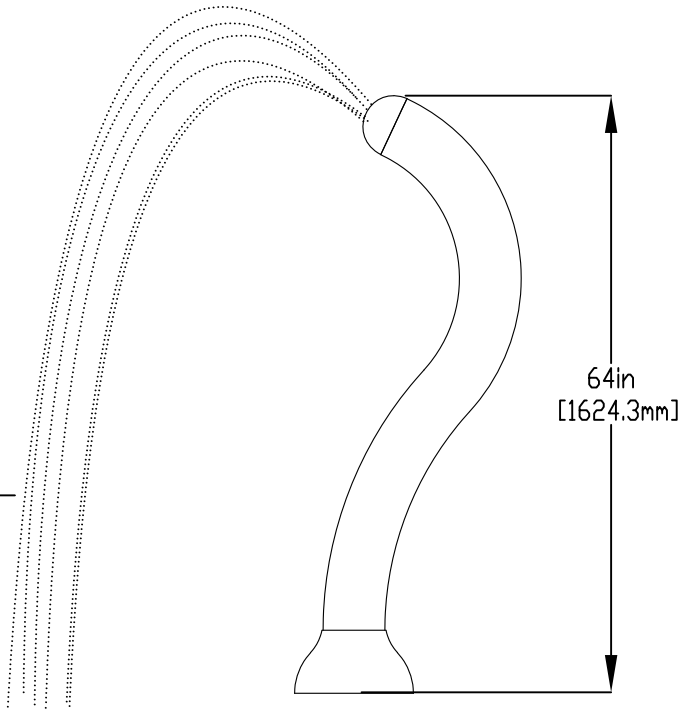
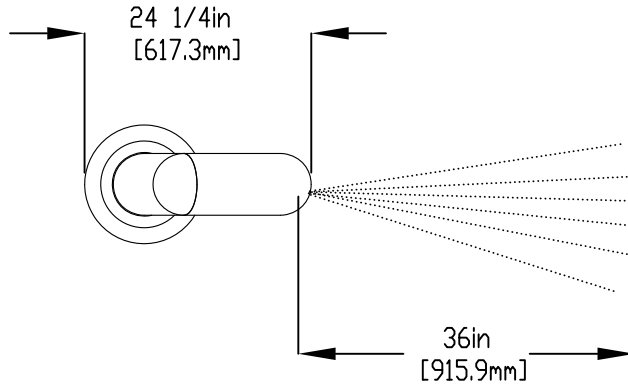


NOTES:

- (1) PURGE ALL WATER SUPPLY LINES TO REMOVE SOLIDS PRIOR TO TOY INSTALLATION.
- (2) PROVIDE ELECTRICAL BOND WITH POOL REBAR.
- (3) INSTALL ALL WATER TOYS PLUMB AND LEVEL.
- (4) PROVIDE STRAINER UPSTREAM OF TOY WITH MAX 1/32" (0.8mm) PERFORATIONS.

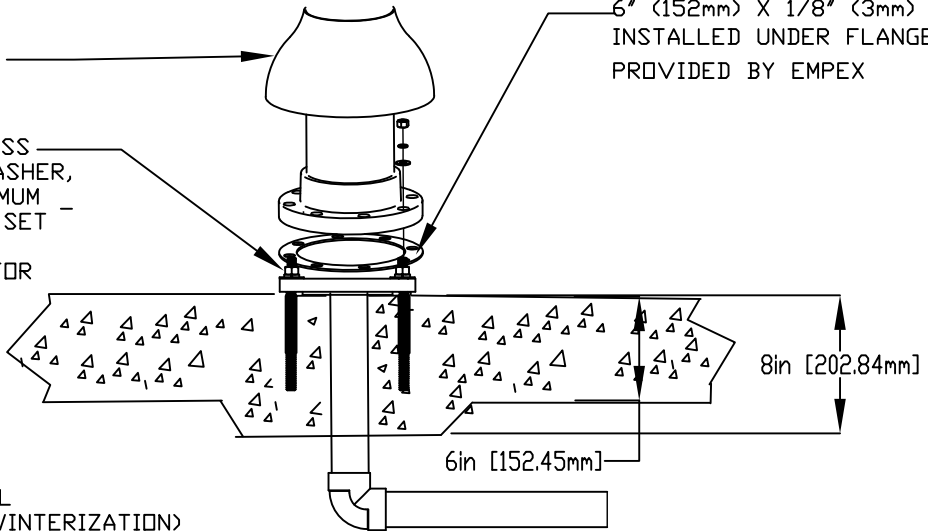


FLANGE DETAIL

LOWER FLANGE COVER AFTER INSTALL

ENSURE LEVEL & PLUMB
6" (152mm) X 1/8" (3mm) GASKET
INSTALLED UNDER FLANGE
PROVIDED BY EMPEX

1/2" (13mm) X 8" (203mm) 316SS
TREADED ROD, C/W FENDER WASHER,
LOCKWASHER & NUT (X4), MINIMUM -
6" (152mm) EMBEDMENT. EPOXY SET
ANCHOR ADHESIVE
TO BE PROVIDED BY CONTRACTOR



WATERFEED
2" (50mm) PVC SCH 40 PIPE
CUT CLOSE PRIOR TO INSTALL
TO ALLOW FULL DRAINAGE (WINTERIZATION)

F



Notes: Overall dimensions of toys are approximate.
Approximate Weight: 38lbs (17.3kgs)

© EMPEX WATERTOYS

WATER SUPPLY
30 gpm @ 25 psi
1.89L/S @17.5m

AQUAWIGL

T271

13/12/2021

SCALE:

Sheet
1 of 1