

**NOTES:**

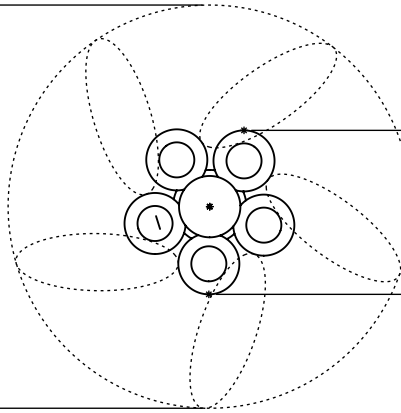
(1) PURGE ALL WATER SUPPLY LINES TO REMOVE SOLIDS PRIOR TO TOY INSTALLATION.

(2) PROVIDE ELECTRICAL BOND WITH POOL REBAR.

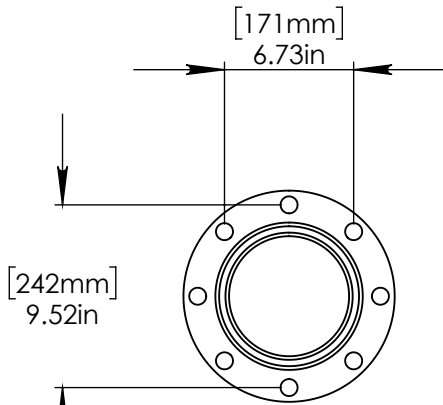
(3) INSTALL ALL WATER TOYS PLUMB AND LEVEL.

(4) PROVIDE STRAINER UPSTREAM OF TOY WITH MAX 1/32" (0.8mm) PERFORATIONS.

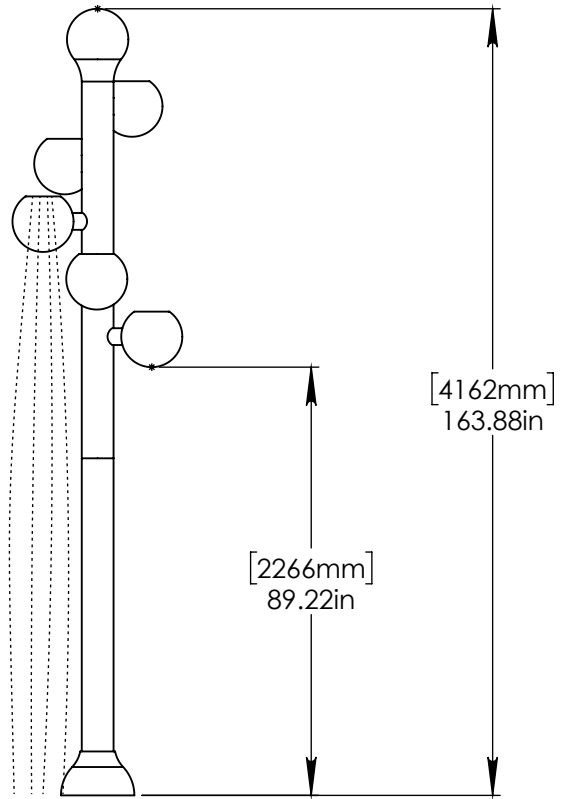
[2134mm]  
Ø 84.00in  
SPLASH DIAMETER



[868mm]  
34.17in



FLANGE DETAIL



[4162mm]  
163.88in

[2266mm]  
89.22in

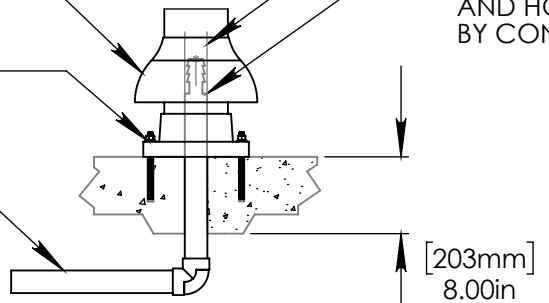
LOWER FLANGE COVER AFTER TOY IS INSTALLED.

STAINLESS STEEL (316)  
1/2" (13mm) THREADED ROD, WASHER,  
LOCK WASHER, & NUT.  
THREADED ROD LENGTH 7" (180mm)  
WITH 5" (120mm) EMBEDMENT. USE  
MINIMUM 6 ANCHORS.  
(ANCHORS NOT SUPPLIED BY EMPEX)

2" (50mm) SCH 40 PVC  
WATERFEED TO BE EXTENDED  
8" (200mm) ABOVE SLAB.

1" (25mm) FLEX HOSE  
PROVIDED BY EMPEX.

2" (50mm)-1" (25mm) FITTING  
AND HOSE BARB TO BE SUPPLIED  
BY CONTRACTOR.



[203mm]  
8.00in



Notes: Overall dimensions of toys are approximate.

© EMPEX WATERTOYS

WATER SUPPLY  
30 gpm @ 25 psi  
1.89L/S @ 17.5m

# AQUACINCO

**T343**

4/23/2019

SCALE:  
1:40

Sheet  
1 of 1