

1

2

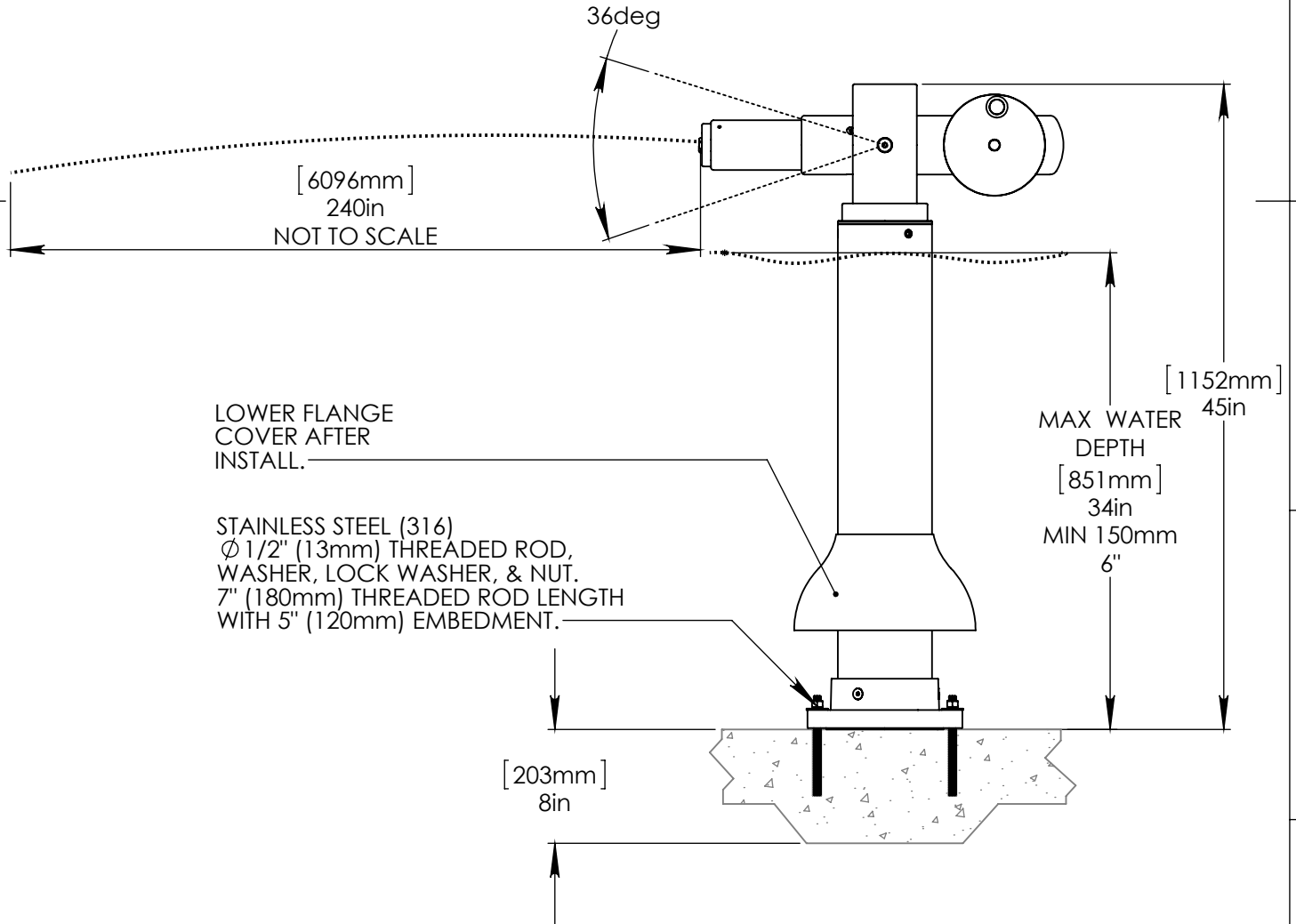
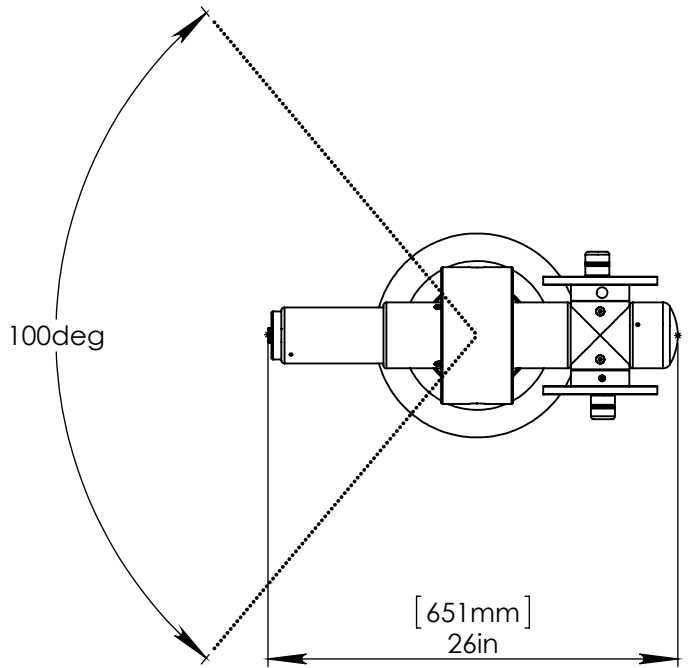
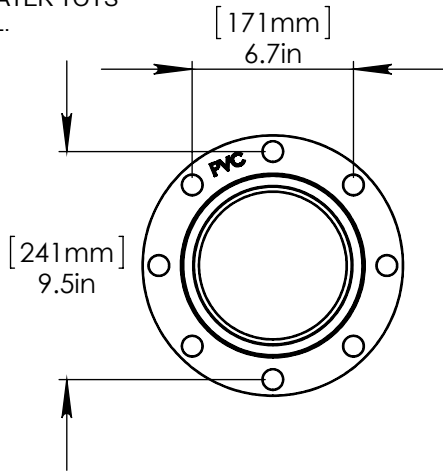
3

4

NOTES:

(1) PROVIDE ELECTRICAL BOND WITH POOL REBAR.

(2) INSTALL ALL WATER TOYS PLUMB AND LEVEL.



Notes: Overall dimensions of toys are approximate.

© EMPEX WATERTOYS

WATER SUPPLY
NO EXTERNAL PUMP

WATER SHOOTER

T402

1/5/2015

SCALE:
1:12

Sheet
1 of 1

1

2

3

4