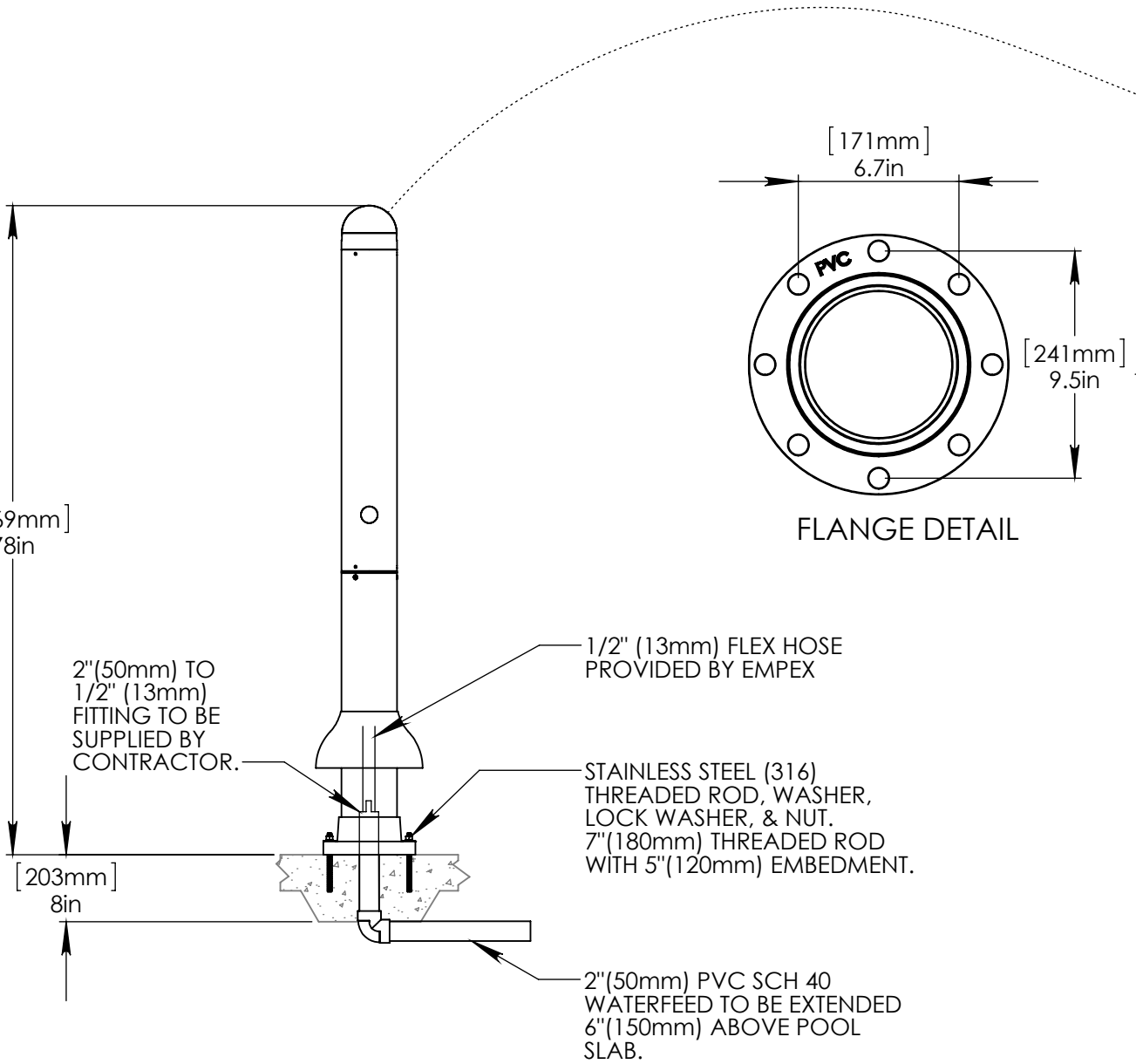
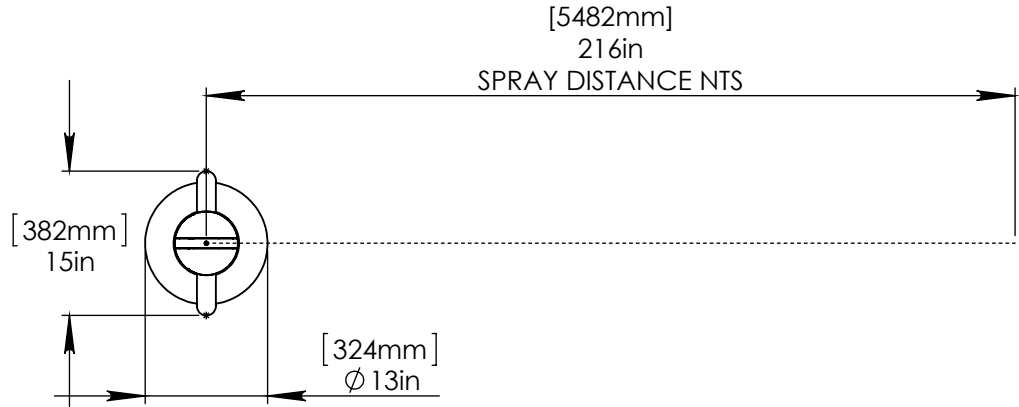


NOTES:

- (1) PURGE ALL WATER SUPPLY LINES TO REMOVE SOLIDS PRIOR TO TOY INSTALLATION.
- (2) PROVIDE ELECTRICAL BOND WITH POOL REBAR.
- (3) INSTALL ALL WATER TOYS PLUMB AND LEVEL.
- (4) PROVIDE STRAINER UPSTREAM OF TOY WITH MAX 1#32" (0.8mm) PERFORATIONS.



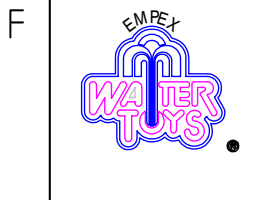
2" (50mm) TO 1/2" (13mm) FITTING TO BE SUPPLIED BY CONTRACTOR.

1/2" (13mm) FLEX HOSE PROVIDED BY EMPEX

STAINLESS STEEL (316) THREADED ROD, WASHER, LOCK WASHER, & NUT. 7" (180mm) THREADED ROD WITH 5" (120mm) EMBEDMENT.

2" (50mm) PVC SCH 40 WATERFEED TO BE EXTENDED 6" (150mm) ABOVE POOL SLAB.

FLANGE DETAIL



Notes: Overall dimensions of toys are approximate.

© EMPEX WATERTOYS

**WATER SUPPLY**  
20 gpm @ 25 psi  
1.26L/S @ 17.5m

# AQUASHOOTER

**T404L**

11/4/2014

SCALE:  
1:20

Sheet  
1 of 1