

1

2

3

4

A

A

NOTES:

(1) PURGE ALL WATER SUPPLY LINES TO REMOVE SOLIDS PRIOR TO TOY INSTALLATION.

(2) PROVIDE ELECTRICAL BOND WITH POOL REBAR.

(3) INSTALL ALL WATER TOYS PLUMB AND LEVEL.

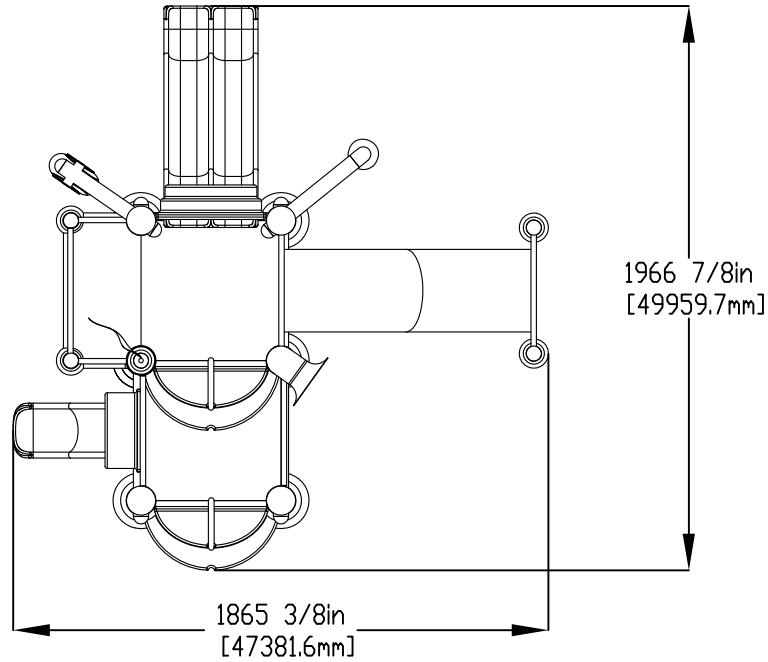
(4) PROVIDE STRAINER UPSTREAM OF TOY WITH MAX 1#32" (0.8mm) PERFORATIONS.

B

B

C

C

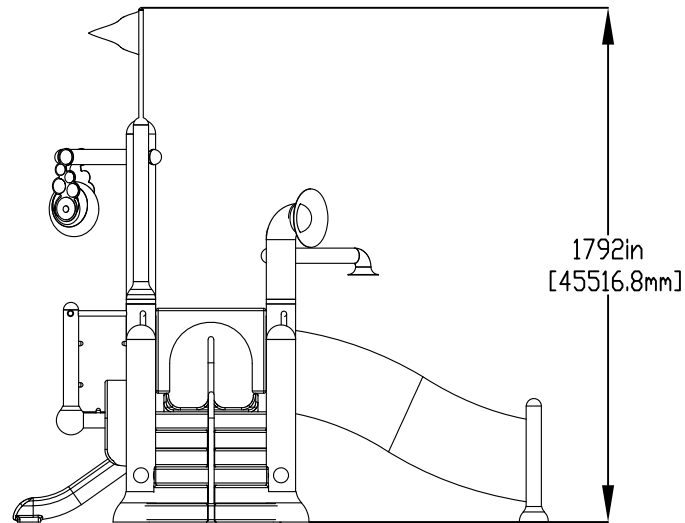


D

D

E

E



F

F



Notes: Overall dimensions of toys are approximate.

© EMPEX WATERTOYS

WATER SUPPLY

250 gpm @ 25 psi
15.77 L/S @17.5m

AQUADEK

T410-24

01/04/2021

SCALE:

Sheet
1 of 2

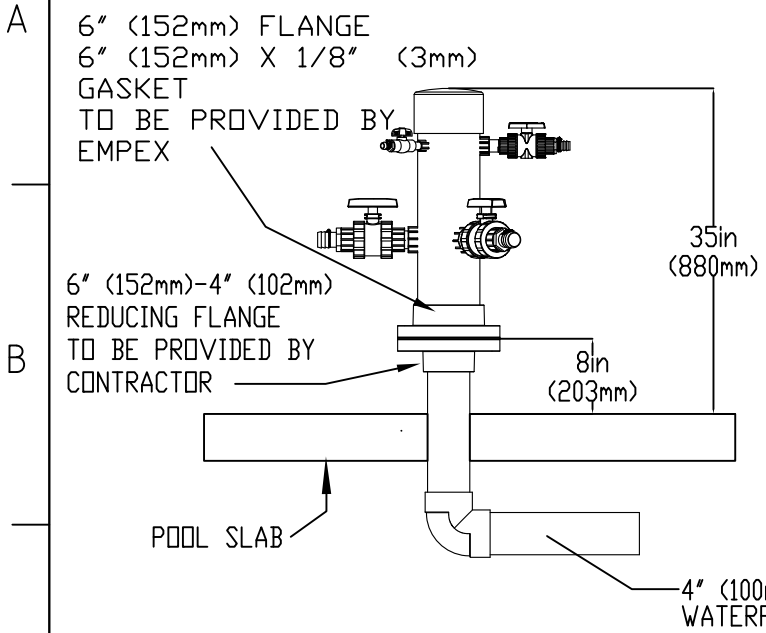
1

2

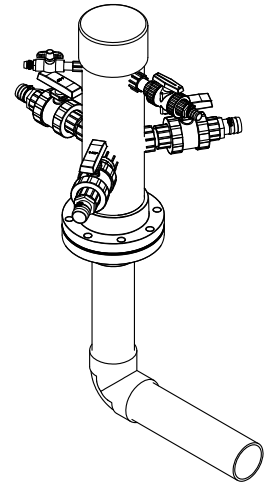
3

4

MANIFOLD PROVIDED BY EMPEX

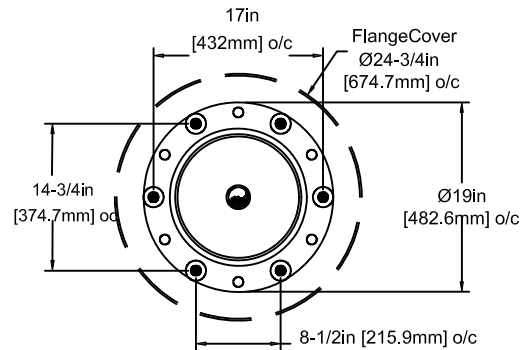
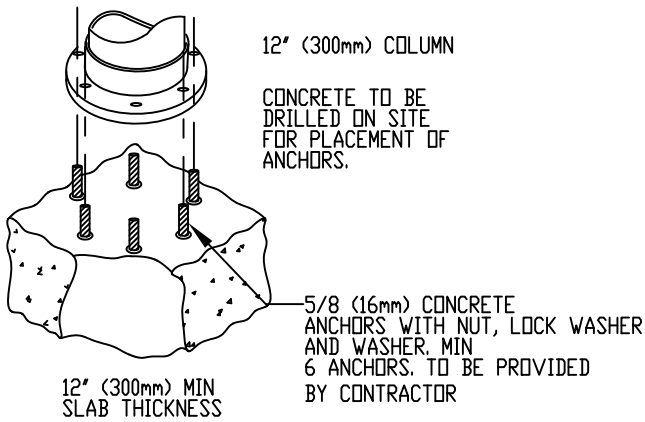


- (3) 2" (50mm) VALVES:
AQUAFAN
AQUASHOWER
AQUAFLAG
- (1) 1" (25mm) VALVES:
AQUACURTAIN
- (1) 1/2" (13mm) VALVE:
AQUADUNK



C

D



FLANGE DETAIL

F



Notes: Overall dimensions of toys are approximate.

© EMPEX WATERTOYS

WATER SUPPLY

250 gpm @ 25 psi
15.77 L/S @ 17.5m

AQUADEK

T410-24

01/04/2021

SCALE:

Sheet
2 of 2