

1

2

3

4

A

A

B

B

C

C

D

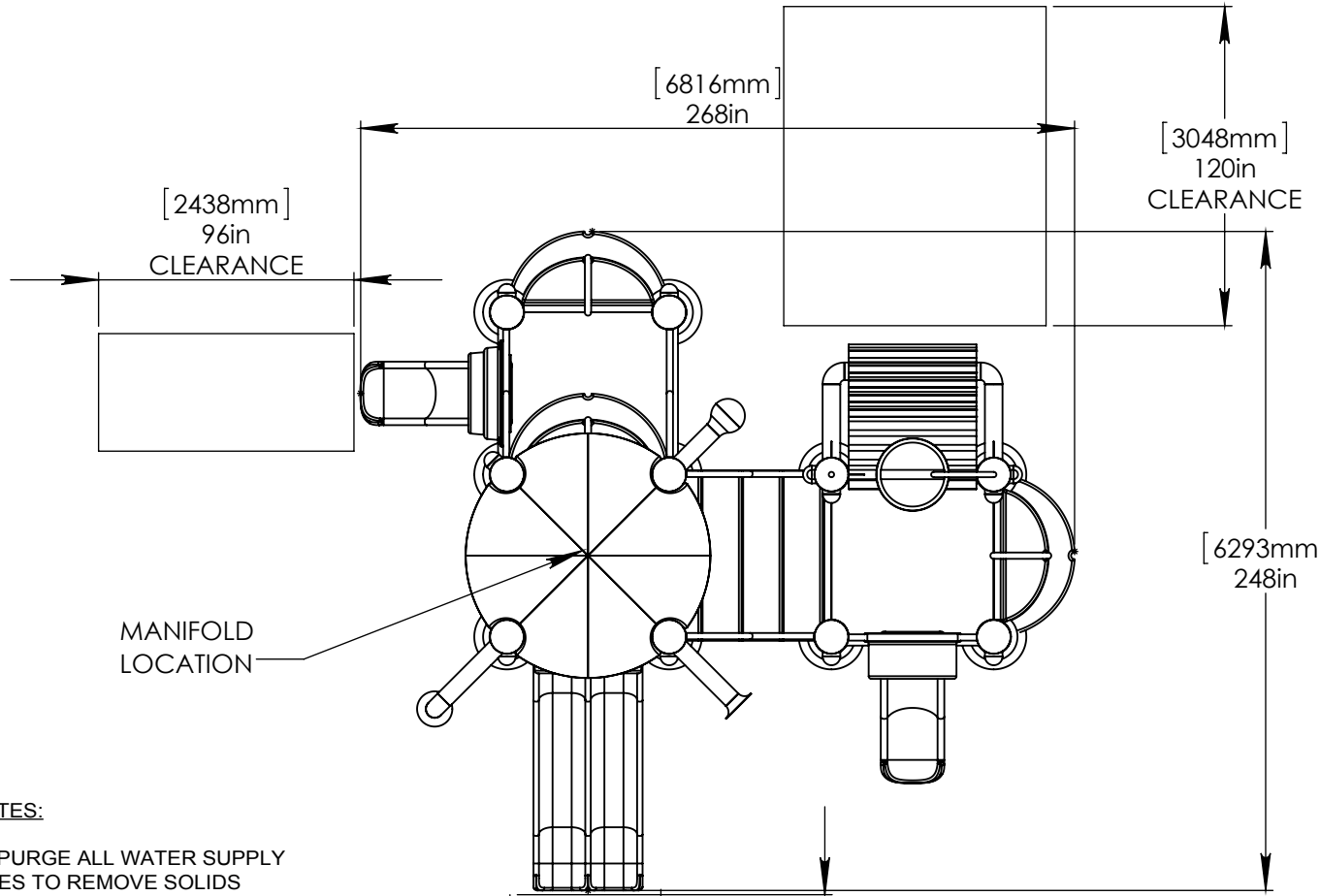
D

E

E

F

F



MANIFOLD LOCATION

NOTES:

(1) PURGE ALL WATER SUPPLY LINES TO REMOVE SOLIDS PRIOR TO TOY INSTALLATION.

(2) PROVIDE ELECTRICAL BOND WITH POOL REBAR.

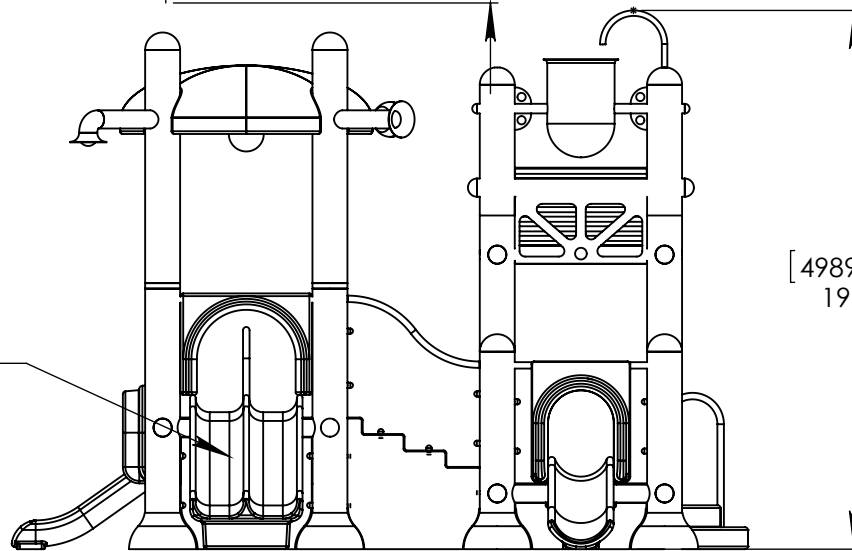
(3) INSTALL ALL WATER TOYS PLUMB AND LEVEL.

(4) PROVIDE STRAINER UPSTREAM OF TOY WITH MAX 1#32" (0.8mm) PERFORATIONS.

[2438mm]
96in
CLEARANCE

[4989mm]
196in

MANIFOLD LOCATION
(UNDER 4FT PLATFORM)



Notes: Overall dimensions of toys are approximate.

© EMPEX WATERTOYS



WATER SUPPLY

220 gpm @ 25 psi
15 L/S @ 17.5m

AQUADEK

T410-242DD

9/29/2015

SCALE:
1:70

Sheet
1 of 2

1

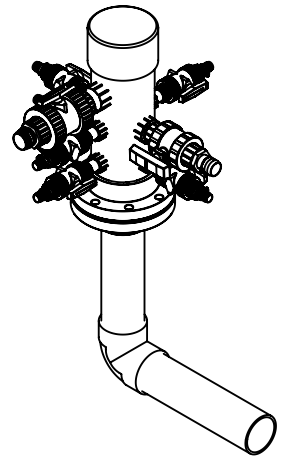
2

3

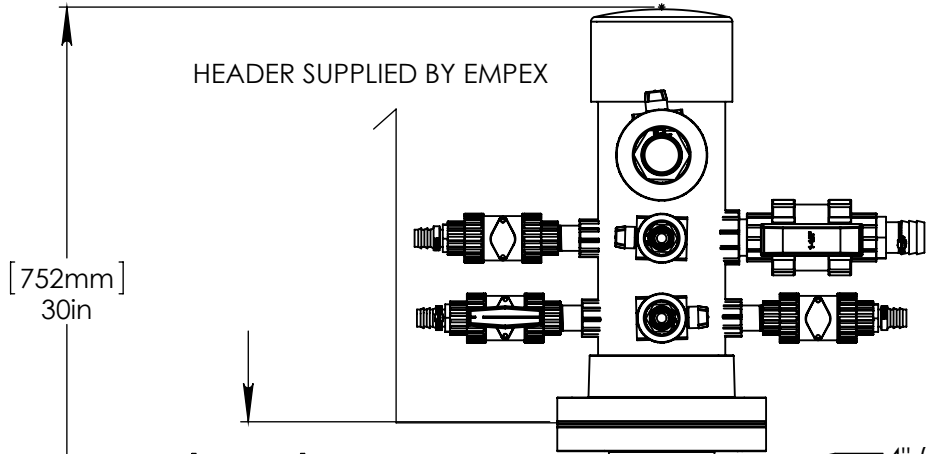
4

A

(6) 1" (25mm) VALVES: BULB, (4) FINIALS, SHOWER
(2) 2" (50mm) VALVES: DUNKER, FALLS



B

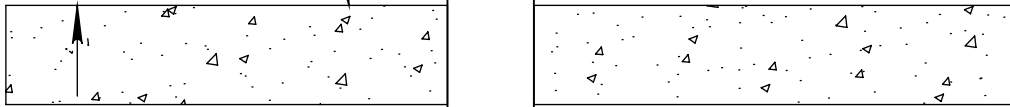


HEADER SUPPLIED BY EMPEX

[203mm]
8in
MAX
POOL SLAB

4" (100mm- 6" (150mm) ADAPTER
FLANGE- **NOT PROVIDED BY EMPEX**

C



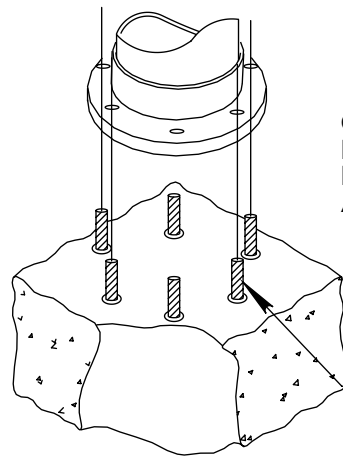
D

4" (100mm) PVC
SCH 40 WATERFEED

12" (300mm) COLUMN

CONCRETE TO BE
DRILLED ON SITE
FOR PLACEMENT OF
ANCHORS.

E



12" (300mm) MIN
SLAB THICKNESS

SS 316 GRADE
Ø 5/8 (16mm) X 7" (180mm) LONG CONCRETE
ANCHORS WITH NUT, LOCK WASHER
AND WASHER. MIN 6 ANCHORS. EMBEDMENT
DEPTH: 5" (120mm)
THREADED ROD + EPOXY CAN BE USED
AS A SUBSTITUTE.

F



Notes: Overall dimensions of toys are approximate.

© EMPEX WATERTOYS

WATER SUPPLY
220 gpm @ 25 psi
15 L/S @ 17.5m

AQUADEK

T410-242DD

9/29/2015

SCALE:
1:10

Sheet
2 of 2

A

B

C

D

E

F