

	Notes: Overall dimensions of toys are approximate.		© EMPEX WATERTOYS		
	WATER SUPPLY 220 gpm @ 25 psi 13.9 L/S @ 17.5m		<h1>AQUADEK</h1>		
	T410-P-3S		10/6/2020	SCALE: 1:10	Sheet 1 of 2

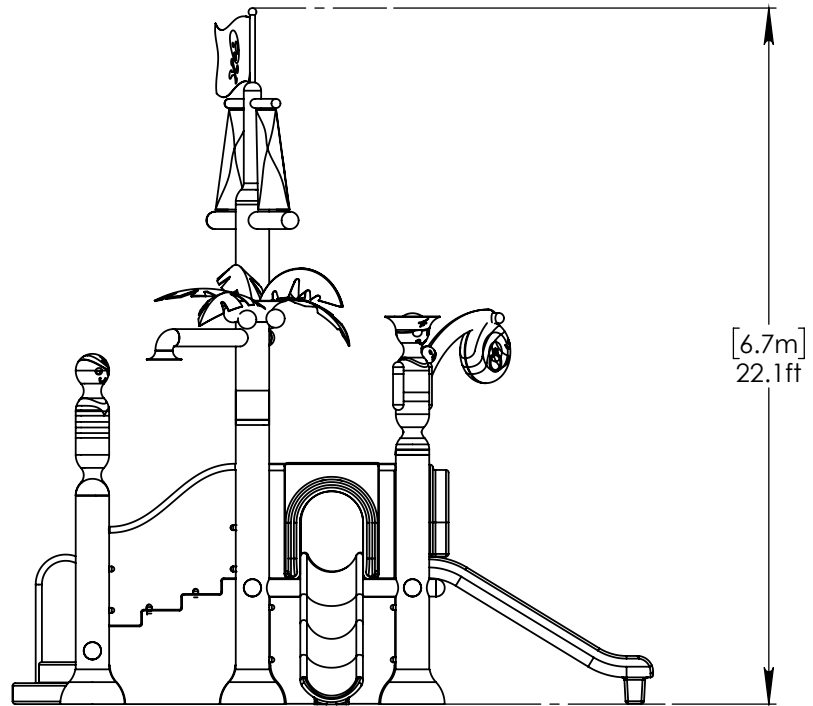
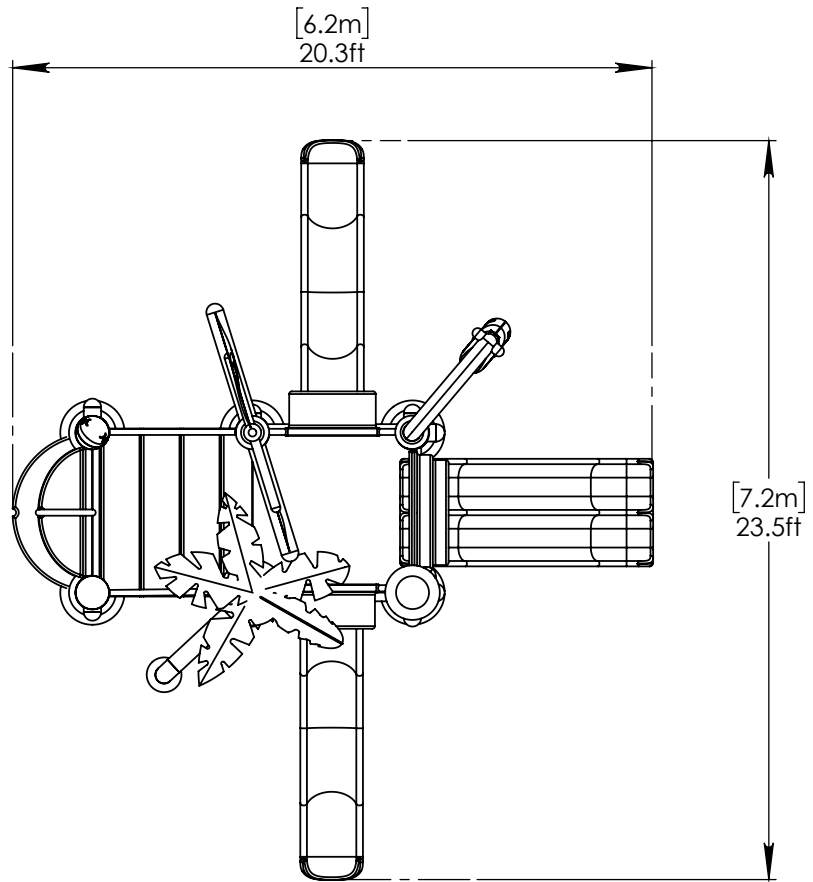
NOTES:

(1) PURGE ALL WATER SUPPLY LINES TO REMOVE SOLIDS PRIOR TO TOY INSTALLATION.

(2) PROVIDE ELECTRICAL BOND WITH POOL REBAR.

(3) INSTALL ALL WATER TOYS PLUMB AND LEVEL.

(4) PROVIDE STRAINER UPSTREAM OF TOY WITH MAX 1#32" (0.8mm) PERFORATIONS.



Notes: Overall dimensions of toys are approximate.

© EMPEX WATERTOYS



WATER SUPPLY

220 gpm @ 25 psi
13.9 L/S @ 17.5m

AQUADEK

T410-P-3S

10/6/2020

SCALE:
1:70

Sheet
2 of 2