

NOTES:

(1) PURGE ALL WATER SUPPLY LINES TO REMOVE SOLIDS PRIOR TO TOY INSTALLATION.

(2) PROVIDE ELECTRICAL BOND WITH POOL REBAR.

(3) INSTALL ALL WATER TOYS PLUMB AND LEVEL.

(4) PROVIDE STRAINER UPSTREAM OF TOY WITH MAX 1/32" (0.8mm) PERFORATIONS.

A

B

C

D

E

F

A

B

C

D

E

F

MANIFOLD LOCATION

291 1/4in
[7396.7mm]

320 3/4in
[8147.2mm]

223in
[5664.2mm]



Notes: Overall dimensions of toys are approximate.

© EMPEX WATERTOYS

WATER SUPPLY

150 gpm @ 25 psi
9.45 L/S @17.5m

AQUADEK AQUACASTLE

T410-AC-24

5/5/2020

SCALE:

Sheet
1 of 2

1

2

3

4

A

B

C

MANIFOLD PROVIDED BY EMPEX

(1) 1-1/2" (38mm) VALVES: THE FLAG

(3) 1" (25mm) VALVES: AQUASHOWER KNIGHT CURTAIN

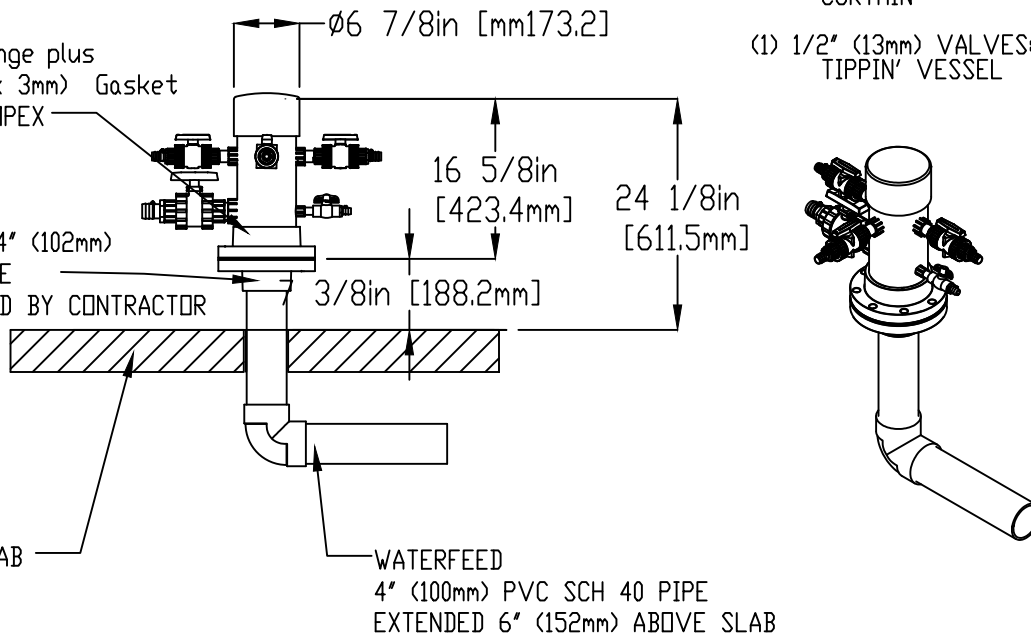
(1) 1/2" (13mm) VALVES: TIPPIN' VESSEL

6" (152mm) Flange plus 6"x1/8"(152mm x 3mm) Gasket Provided by EMPEX

6" (152mm) to 4" (102mm) REDUCER FLANGE TO BE PROVIDED BY CONTRACTOR

POOL SLAB

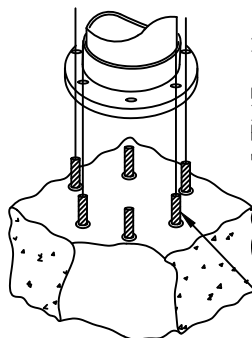
WATERFEED 4" (100mm) PVC SCH 40 PIPE EXTENDED 6" (152mm) ABOVE SLAB



D

E

COLUMN INSTALLATION DETAILS

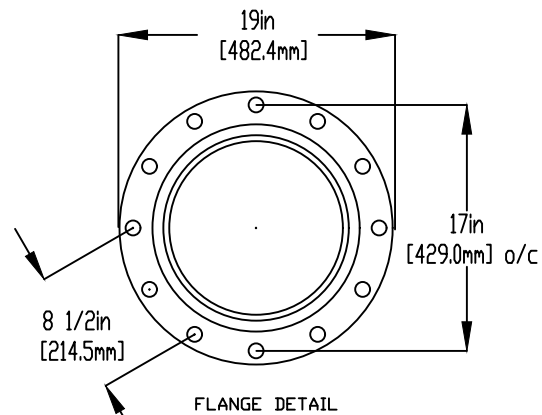


12in (300mm) COLUMN

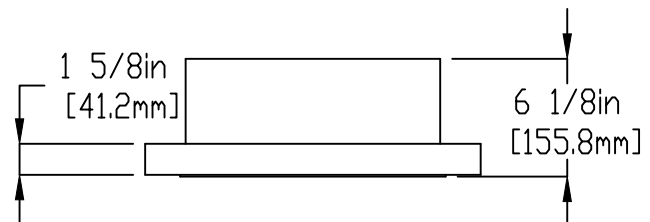
CONCRETE TO BE DRILLED ON SITE FOR PLACEMENT OF ANCHORS.

5/8in (16mm) X 9" (229mm) 316SS THREADED ROD, C/W FENDER WASHER LOCK WASHER & NUT, (X6) PER COLUMN MINIMUM 6" (152mm) EMBEDMENT, EPOXY SET ANCHOR ADHESIVE TO BE PROVIDED BY CONTRACTOR

12in (300mm) MIN SLAB THICKNESS



FLANGE DETAIL



F



Notes: Overall dimensions of toys are approximate.

© EMPEX WATERTOYS

WATER SUPPLY

150 gpm @ 25 psi
9.45 L/S @17.5m

AQUADEK AQUACASTLE

T410-AC-24

5/5/2020

SCALE:

Sheet
2 of 2

1

2

3

4