

1

3

4

NOTES:

(1) PURGE ALL WATER SUPPLY LINES TO REMOVE SOLIDS PRIOR TO TOY INSTALLATION.

(2) PROVIDE ELECTRICAL BOND WITH POOL REBAR.

(3) INSTALL ALL WATER TOYS PLUMB AND LEVEL.

(4) PROVIDE STRAINER UPSTREAM OF TOY WITH MAX 1/32" (0.8mm) PERFORATIONS.

A

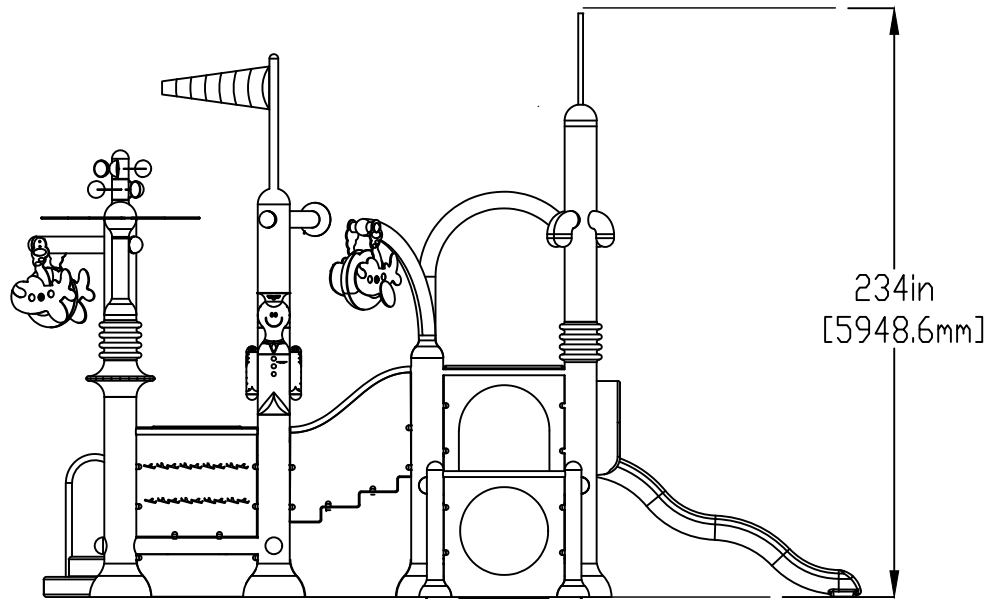
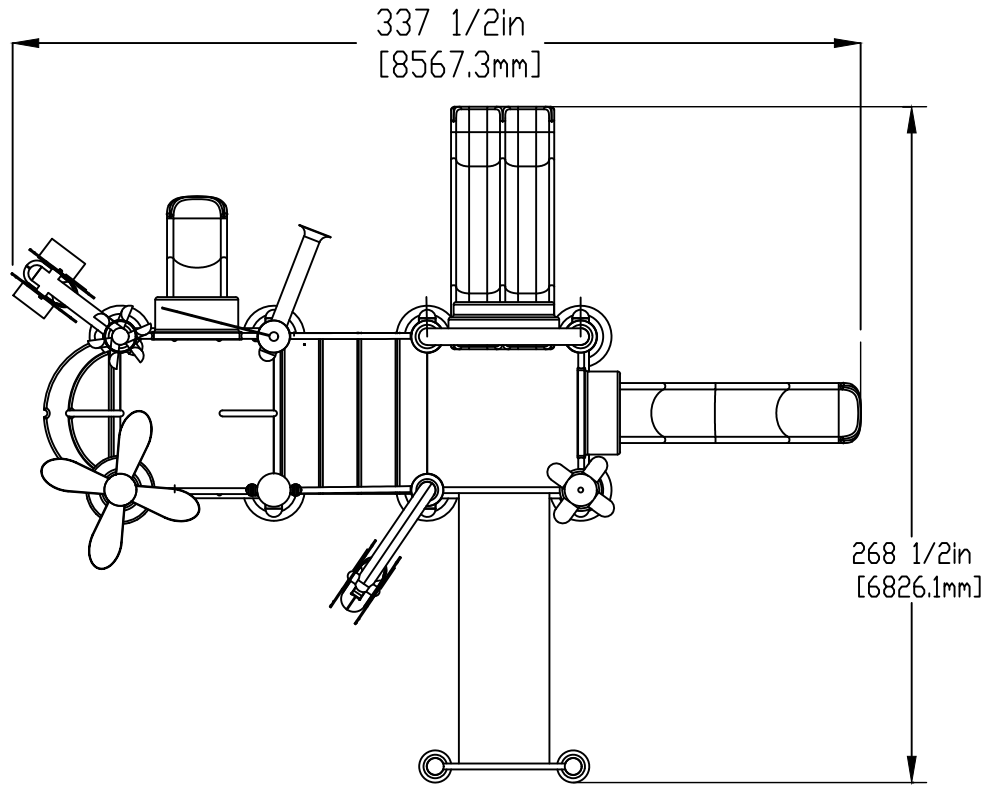
B

C

D

E

F



Notes: Overall dimensions of toys are approximate.

© EMPEX WATERTOYS

WATER SUPPLY

180 gpm @ 25 psi
11.4 L/S @ 17.5 m

AQUADEK AERO

T410-AE-24

04/08/2022

SCALE:

Sheet
1 of 3

1

2

3

4

1

2

3

4

A

B

C

MANIFOLD PROVIDED BY EMPEX

- (1) 2" (51mm) VALVES: AQUAFALL
- (3) 1" (25mm) VALVES: AQUAROCKT FINIAL - PILOT AQUASWIRL W/DIVERTER
- (2) 1/2" (13mm) VALVES: TIPPIN' VESSEL AQUADUNK PLANE

6" (152mm) Flange plus 6"x1/8"(152mm x 3mm) Gasket Provided by EMPEX

6" (152mm) to 4" (102mm) REDUCER FLANGE TO BE PROVIDED BY CONTRACTOR

POOL SLAB

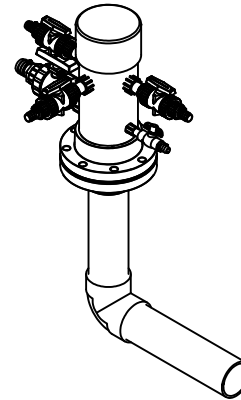
Ø6 7/8in [mm173.2]

16 5/8in [423.4mm]

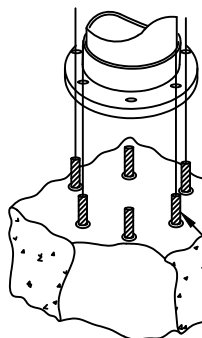
24 1/8in [611.5mm]

3/8in [188.2mm]

WATERFEED 4" (100mm) PVC SCH 40 PIPE EXTENDED 6" (152mm) ABOVE SLAB



COLUMN INSTALLATION DETAILS

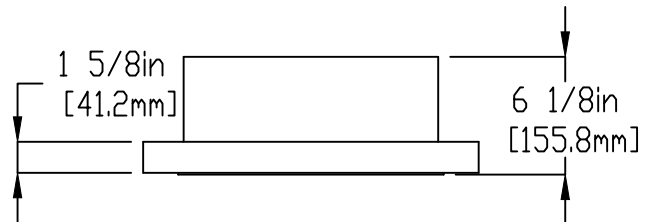
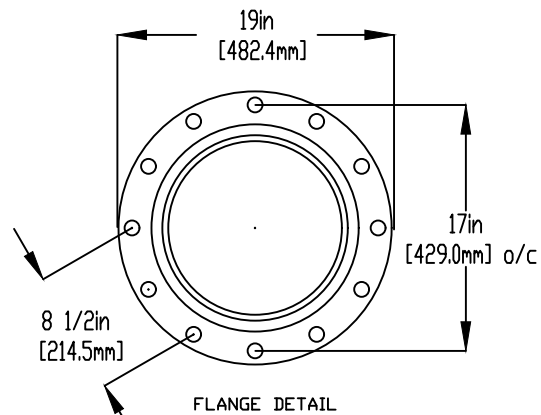


12in (300mm) COLUMN

CONCRETE TO BE DRILLED ON SITE FOR PLACEMENT OF ANCHORS.

12in (300mm) MIN SLAB THICKNESS

5/8in (16mm) X 9" (229mm) 316SS THREADED ROD, C/W FENDER WASHER LOCK WASHER & NUT, (X6) PER COLUMN MINIMUM 6" (152mm) EMBEDMENT, EPOXY SET ANCHOR ADHESIVE TO BE PROVIDED BY CONTRACTOR



D

E

F

Notes: Overall dimensions of toys are approximate.

© EMPEX WATERTOYS



WATER SUPPLY

180 gpm @ 25 psi
11.4 L/S @17.5m

AQUADEK AERO

T410-AE-24

04/08/2022

SCALE:

Sheet 2 of 3

1

2

3

4

NOTES:

(1) PURGE ALL WATER SUPPLY LINES TO REMOVE SOLIDS PRIOR TO TOY INSTALLATION.

(2) PROVIDE ELECTRICAL BOND WITH POOL REBAR.

(3) INSTALL ALL WATER TOYS PLUMB AND LEVEL.

(4) PROVIDE STRAINER UPSTREAM OF TOY WITH MAX 1/32" (0.8mm) PERFORATIONS.

A

B

C

D

E

F

A

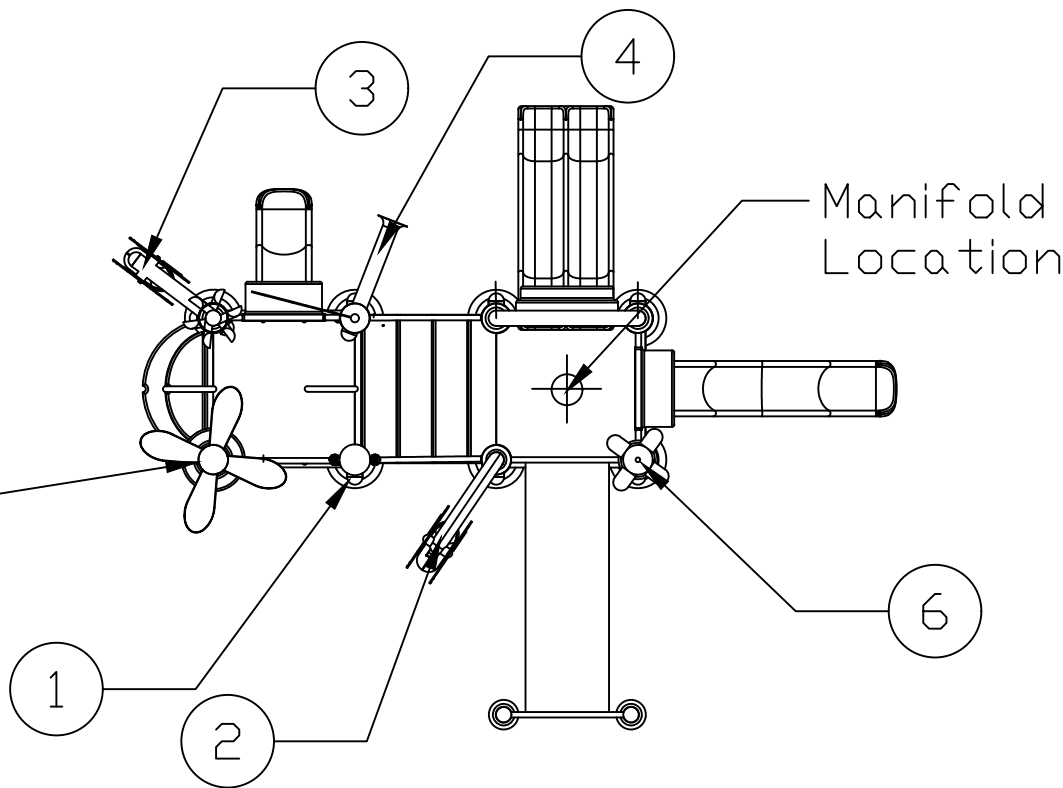
B

C

D

E

F



No.	Toy	Description	No. of Events
1	Pilot Finial	Laminar Spray	1
2	Aquadunk - Plane	High Level Water Drops	1
3	Tippin" - Plane	High Level Water Drops	1
4	Aquafall	High Level Water Drop	1
5	Aquaswirl	3-Way Perimeter Spray	1
6	Aquarocket	Soft Circular Spray	1
TOTALS			6



Notes: Overall dimensions of toys are approximate.

© EMPEX WATERTOYS

WATER SUPPLY

180 gpm @ 25 psi
11.4 L/S @17.5m

AQUADEK AERO

T410-AE-24

04/08/2022

SCALE:

Sheet
3 of 3