

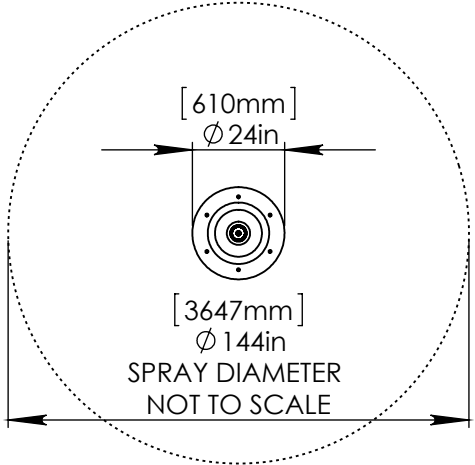
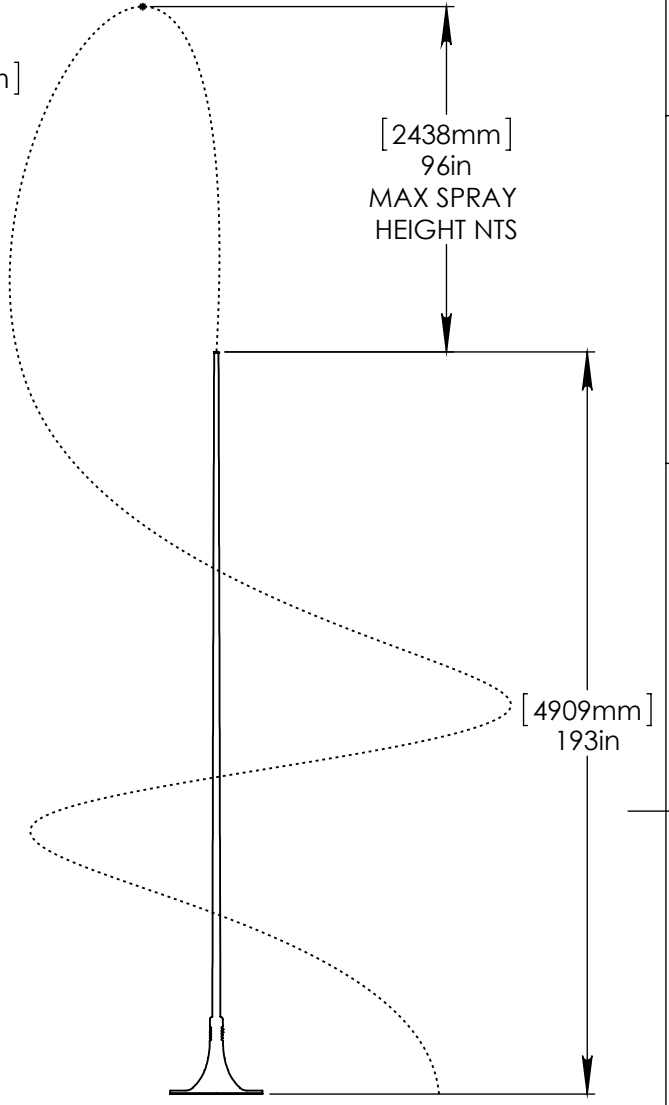
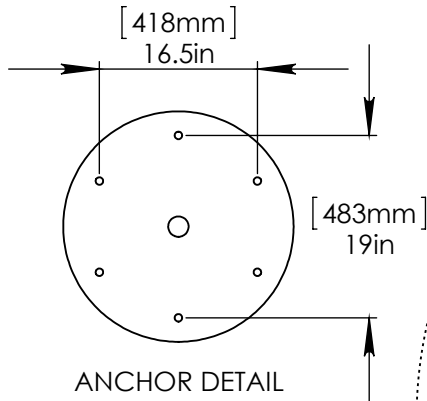
NOTES:

(1) PURGE ALL WATER SUPPLY LINES TO REMOVE SOLIDS PRIOR TO TOY INSTALLATION.

(2) PROVIDE ELECTRICAL BOND WITH POOL REBAR.

(3) INSTALL ALL WATER TOYS PLUMB AND LEVEL.

(4) PROVIDE STRAINER UPSTREAM OF TOY WITH MAX 1/32" (0.8mm) PERFORATIONS.



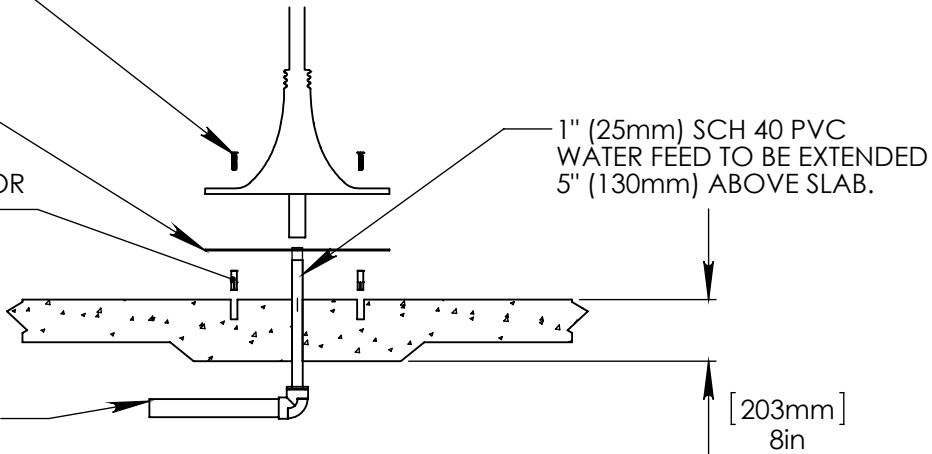
3/8 - 16 COUNTERSUNK BOLT PROVIDED BY EMPEX.

GASKET PROVIDED BY EMPEX.

3/8-16 FEMALE ANCHOR PROVIDED BY EMPEX.

1" (25mm) SCH 40 PVC WATER FEED TO BE EXTENDED 5" (130mm) ABOVE SLAB.

2" (50mm) SCH 40 PVC WATER FEED.



Notes: Overall dimensions of toys are approximate.

© EMPEX WATERTOYS



WATER SUPPLY
 9.85 gpm @ 25 psi
 .63 L/S @17.5m

AQUASTIX

T416

12/16/2014

SCALE:
1:50

Sheet
1 of 1