

1

2

3

4

A

A

B

B

C

C

D

D

E

E

F

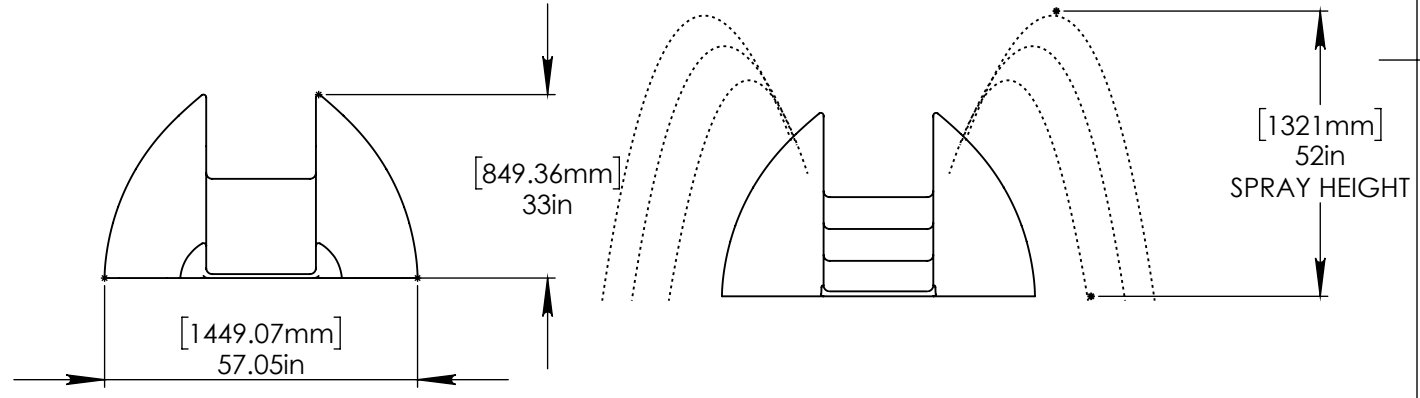
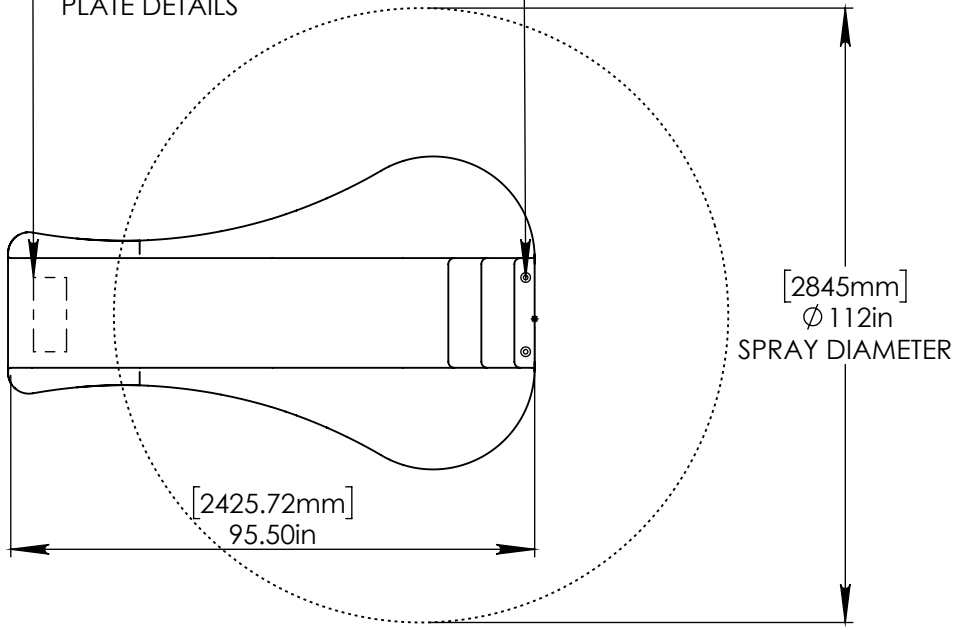
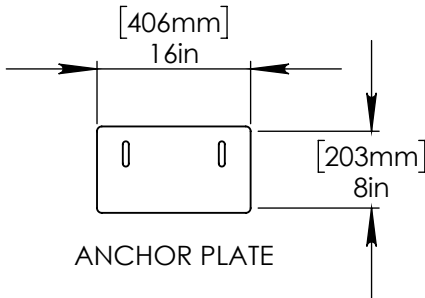
F

NOTES:

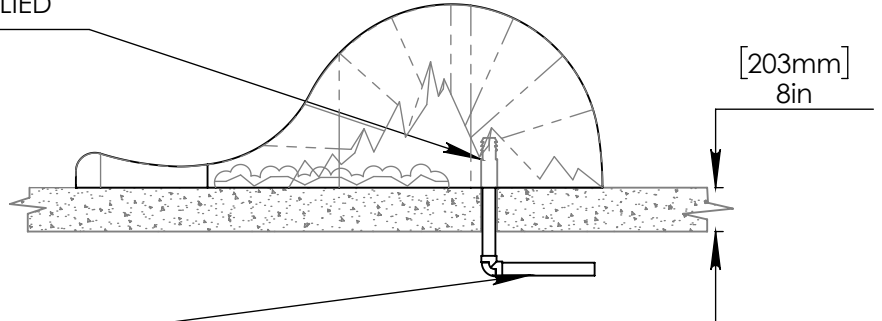
- (1) PURGE ALL WATER SUPPLY LINES TO REMOVE SOLIDS PRIOR TO TOY INSTALLATION.
- (2) PROVIDE ELECTRICAL BOND WITH POOL REBAR.
- (3) INSTALL ALL WATER TOYS PLUMB AND LEVEL.
- (4) PROVIDE STRAINER UPSTREAM OF TOY WITH MAX 1#32" (0.8mm) PERFORATIONS.

REFER TO INSTALL DIAGRAM FOR ANCHOR PLATE DETAILS

REFER TO INSTALL DIAGRAM FOR ANCHOR DETAILS



2" (50mm) PIPE TO 1" (25mm) HOSE ADAPTER SUPPLIED BY EMPEX



2" (50mm) SCH 40 PVC WATER FEED TO BE EXTENDED 8" (200mm) ABOVE SLAB.



Notes: Overall dimensions of toys are approximate.

© EMPEX WATERTOYS

WATER SUPPLY
45 gpm @ 20 psi
2.84 L/S @ 14.5m

AQUAWAVE SMALL MOUNTAIN

T451M

1/19/2018

SCALE:
1:35

Sheet
1 of 1

1

2

3

4