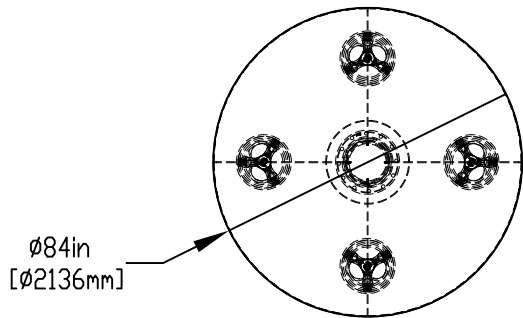


NOTES:

- (1) PURGE ALL WATER SUPPLY LINES TO REMOVE SOLIDS PRIOR TO TOY INSTALLATION.
- (2) PROVIDE ELECTRICAL BOND WITH POOL REBAR.
- (3) INSTALL ALL WATER TOYS PLUMB AND LEVEL.
- (4) PROVIDE STRAINER UPSTREAM OF TOY WITH MAX 1/32" (0.8mm) PERFORATIONS.

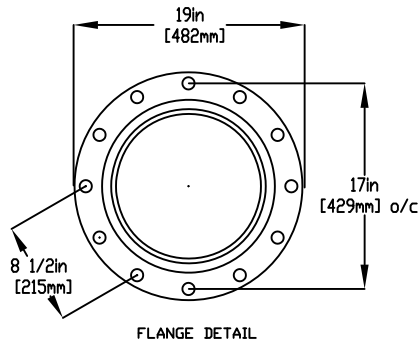
A

A

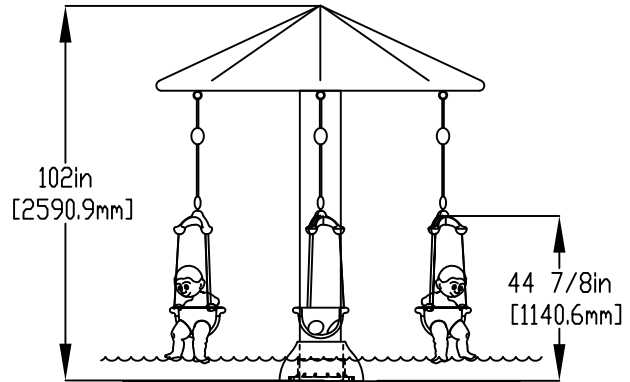


B

B



FLANGE DETAIL

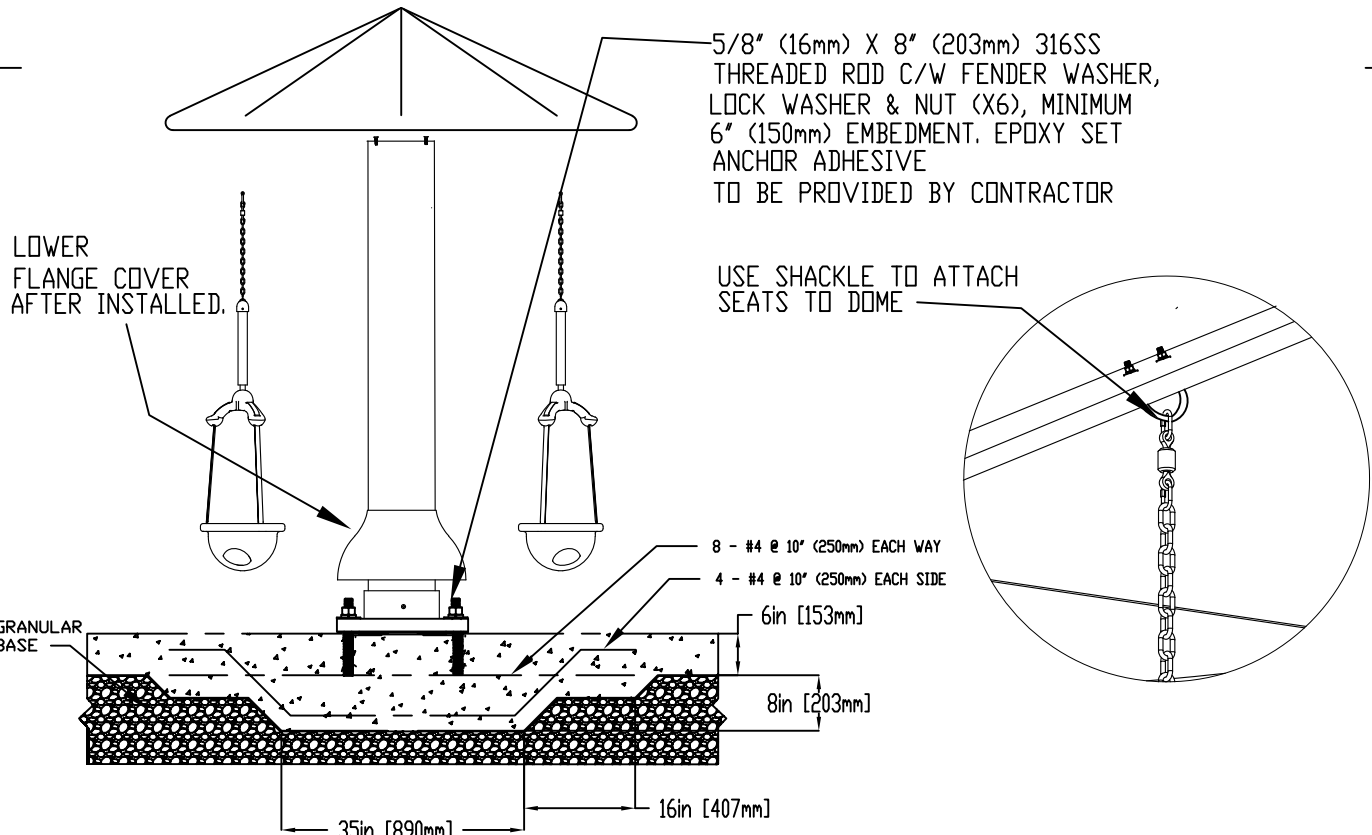


C

C

D

D



E

E

F

F



Notes: Overall dimensions of toys are approximate.
 Approximate Weight: 490lbs /222.7kgs

© EMPEX WATERTOYS

WATER SUPPLY

N/A

BABY BUNGEE CANOPY

T504C

01/03/2021

SCALE:

Sheet 1 of 1