

NOTES:

- (1) PROVIDE ELECTRICAL BOND WITH POOL REBAR.
- (2) 2 PART EPOXY MAY BE USED IN LIEU OF INSERT ANCHOR.
- (3) PURGE ALL WATER SUPPLY LINES TO REMOVE SOLIDS PRIOR TO TOY INSTALLATION.
- (4) INSTALL ALL WATER TOYS PLUMB AND LEVEL.
- (5) PROVIDE STRAINER UPSTREAM OF TOY WITH MAX 1#32" (0.8mm) PERFORATIONS.

A

A

B

B

C

C

D

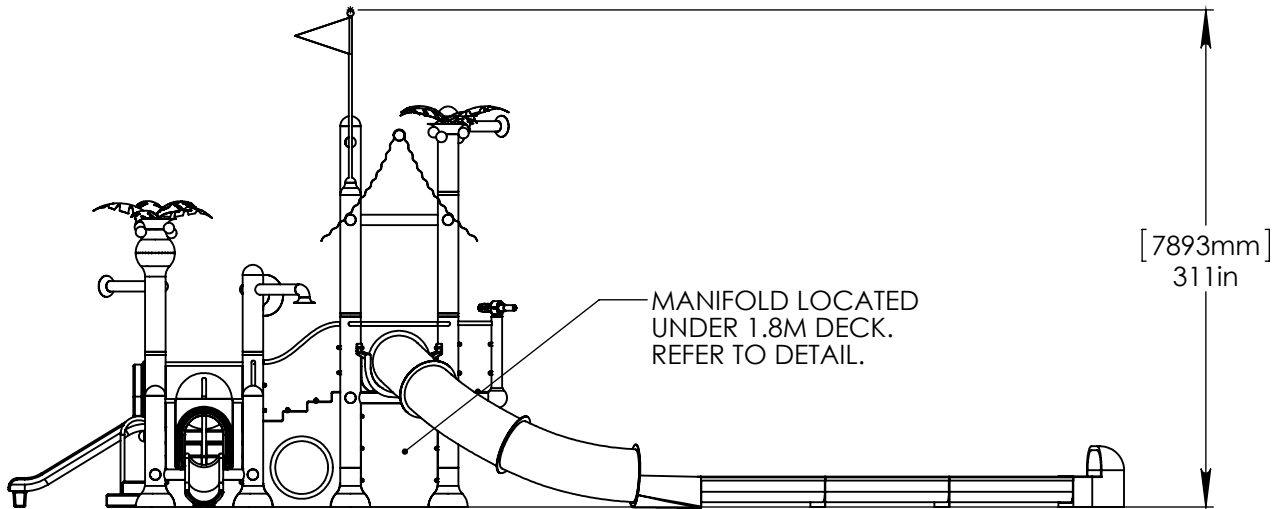
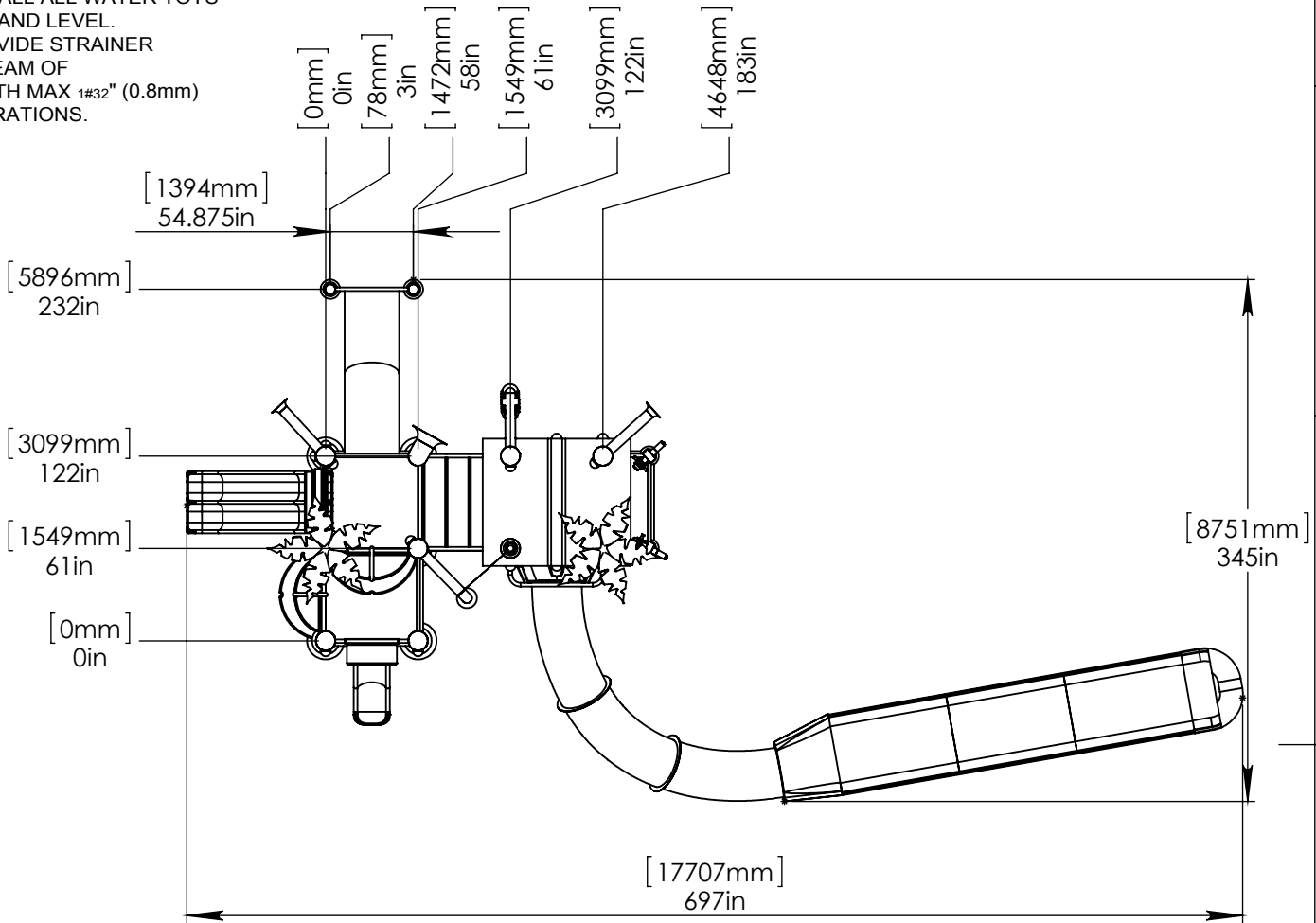
D

E

E

F

F



SIDE ELEVATION



Notes : (1) Dual Dimensions
(2) Outer dimensions of toys are approximate.

C EMPEX WATER TOYS
JUNE 23, 2015

Scale
N.T.S.

WATER SUPPLY

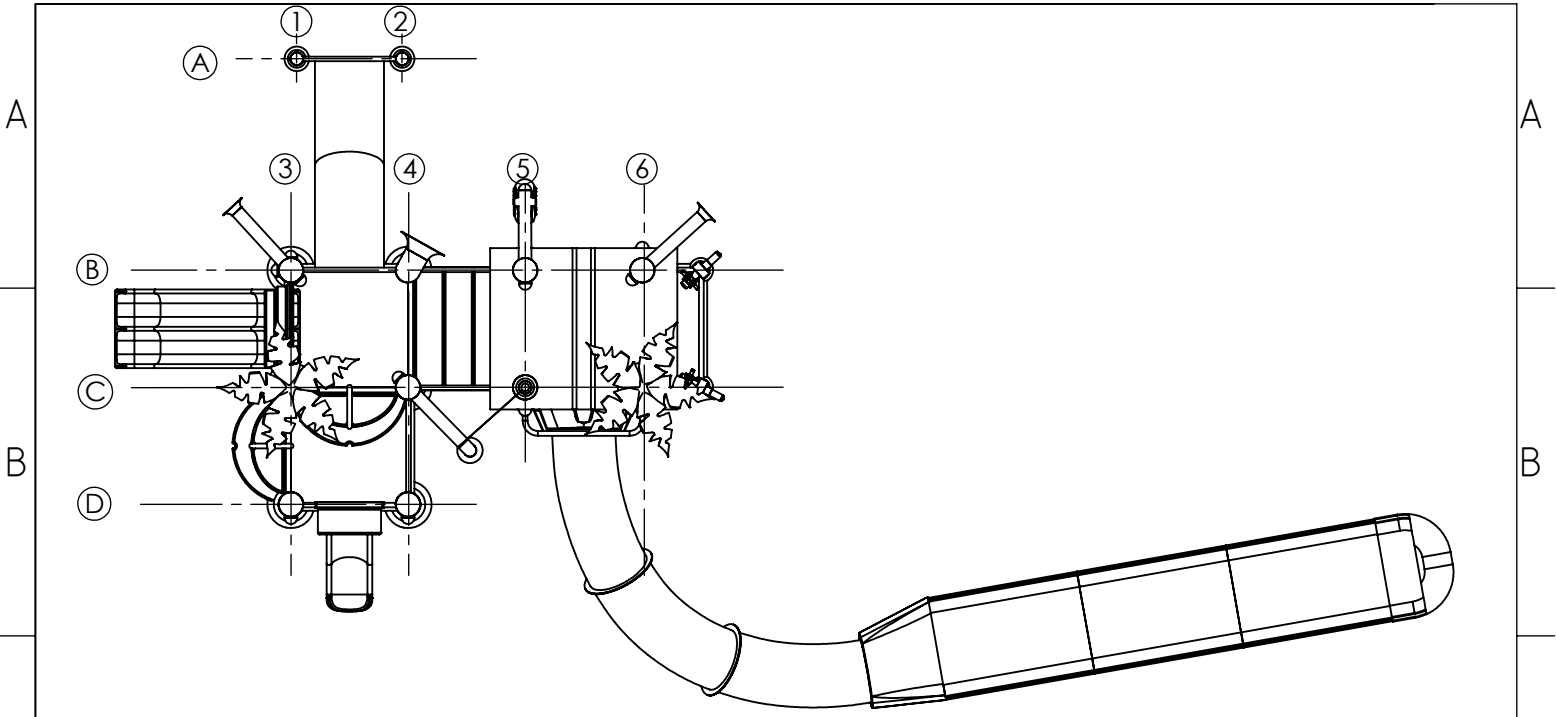
550gpm @ 25 psi
37L/S @17.5m

AQUADEK

T610-246R

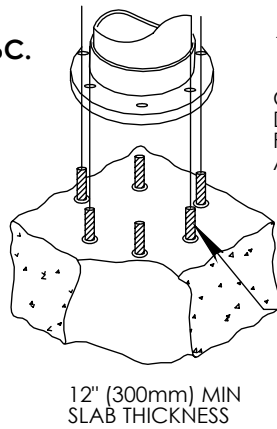
Edition

Sheet
1/3



12" AQUADEK COLUMN MOUNTING FLANGE DETAIL.

COLUMNS 3B,3C,3D,4B,4C,4D,5B,5C,6B,6C.



12" (300mm) COLUMN

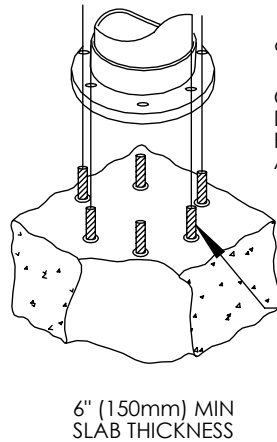
CONCRETE TO BE DRILLED ON SITE FOR PLACEMENT OF ANCHORS.

5/8 (16mm) CONCRETE ANCHORS WITH NUT, LOCK WASHER AND WASHER. MIN 6 ANCHORS.

12" (300mm) MIN SLAB THICKNESS

6" AQUADEK COLUMN MOUNTING FLANGE DETAIL.

COILUMNS 1A,2A



6" (150mm) COLUMN

CONCRETE TO BE DRILLED ON SITE FOR PLACEMENT OF ANCHORS.

5/8 (16mm) CONCRETE ANCHORS WITH NUT, LOCK WASHER AND WASHER. MIN 4 ANCHORS.

6" (150mm) MIN SLAB THICKNESS



Notes : (1) Dual Dimensions
(2) Outer dimensions of toys are approximate.

C EMPEX WATER TOYS
JUNE 23, 2015

Scale
N.T.S.

WATER SUPPLY

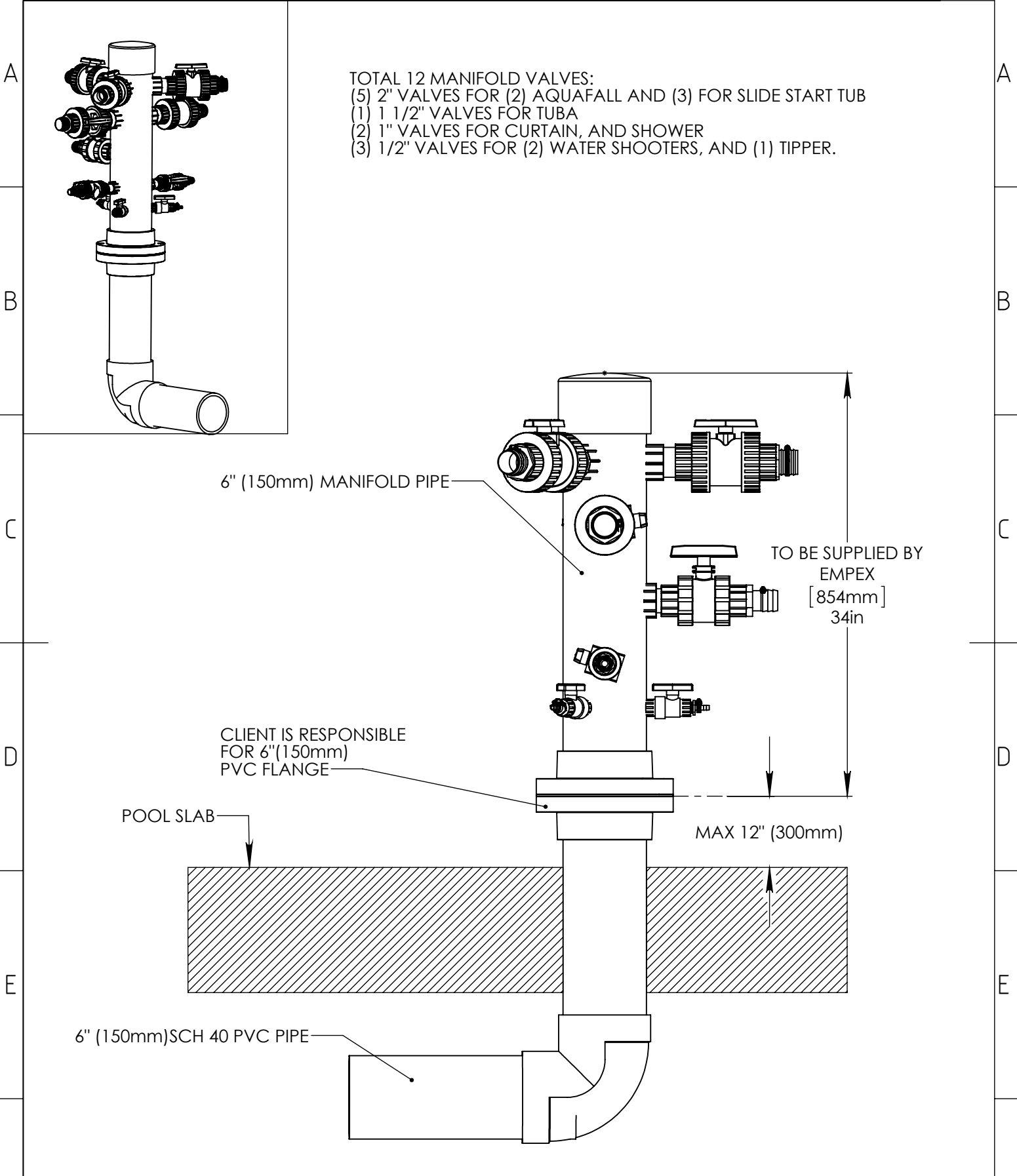
550 gpm @ 25 psi
37L/S @17.5m


AQUADEK

T610-246R

Edition

Sheet
2/3



	Notes : (1) Dual Dimensions (2) Outer dimensions of toys are approximate.		C EMPEX WATER TOYS JUNE 23, 2015		Scale N.T.S.
	<u>WATER SUPPLY</u> 550 gpm @ 25 psi 37L/S @ 17.5m		<u>AQUADEK</u> <u>T610-246R</u>		Edition Sheet 3/3