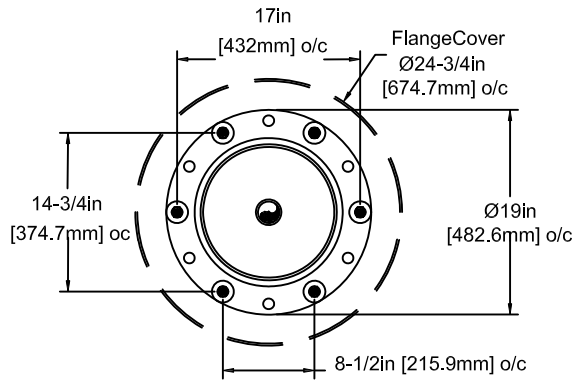
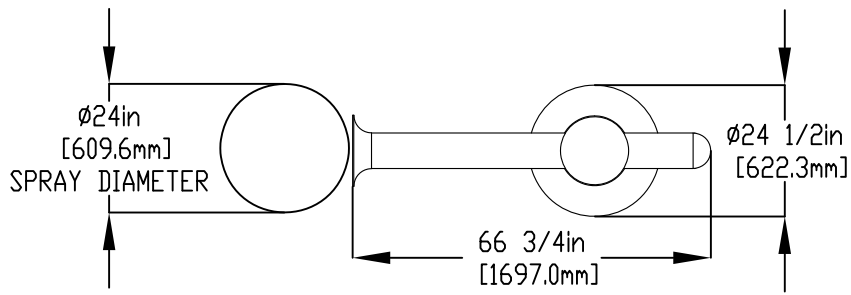
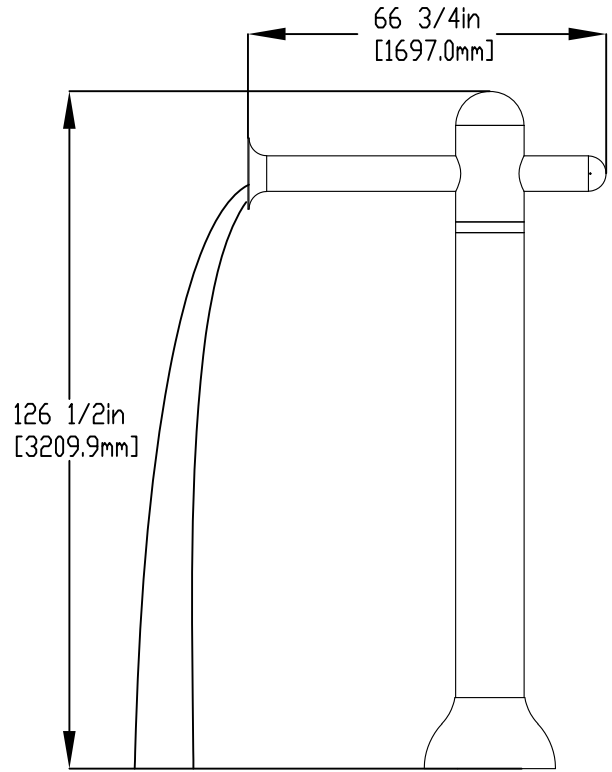


**NOTES:**

- (1) PURGE ALL WATER SUPPLY LINES TO REMOVE SOLIDS PRIOR TO TOY INSTALLATION.
- (2) PROVIDE ELECTRICAL BOND WITH POOL REBAR.
- (3) INSTALL ALL WATER TOYS PLUMB AND LEVEL.
- (4) PROVIDE STRAINER UPSTREAM OF TOY WITH MAX  $\frac{1}{8}$ " (3.2mm) PERFORATIONS.



FLANGE DETAIL



LOWER FLANGE COVER AFTER TOY IS INSTALLED.

STAINLESS STEEL (316)  
5/8" (16mm) THREADED ROD, WASHER,  
LOCK WASHER, & NUT.  
THREADED ROD LENGTH 9" (230mm)  
WITH 6" (150mm) EMBEDMENT. USE  
MINIMUM 6 ANCHORS.  
TO BE PROVIDED BY CONTRACTOR

2" (50mm) FLEX HOSE  
PROVIDED BY EMPEX.

2" (50mm) COUPLING  
2" (50mm) HOSEBARB W/SS CLAMP  
TO BE PROVIDED BY CONTRACTOR

2" (50mm) PVC SCH 40  
WATER FEED TO BE  
EXTENDED 8" ABOVE SLAB

8in [203.2mm]



Notes: Overall dimensions of toys are approximate.  
Approximate Weight: 120lbs / 54.5kgs

© EMPEX WATERTOYS

WATER SUPPLY

70 gpm @ 25 psi  
4.4L/S @17.5m

AQUAFALL

T730

14/12/2021

SCALE:

Sheet  
1 of 1